

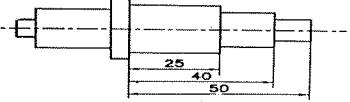

Scoring Indicators
ENGINEERING GRAPHICS

1005A

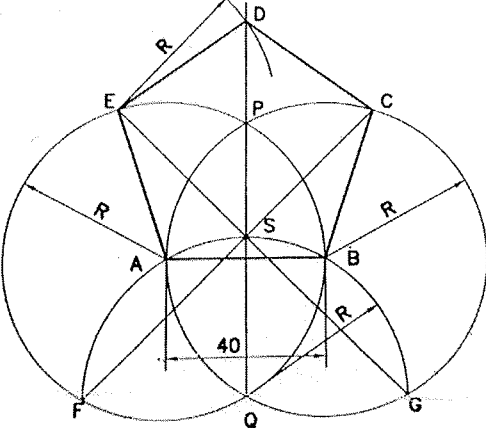
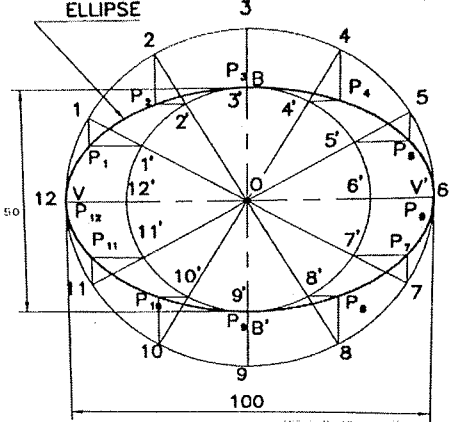
1005

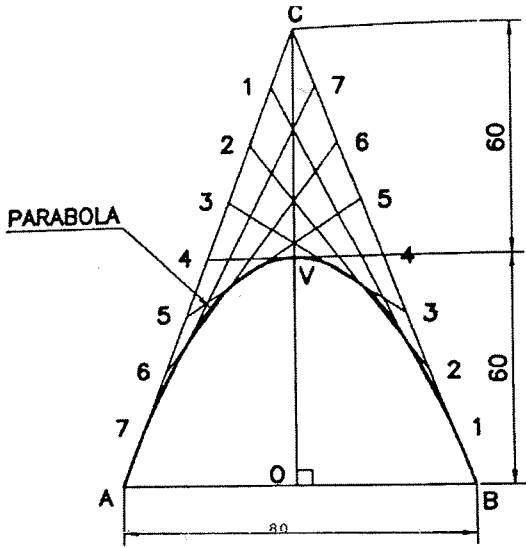
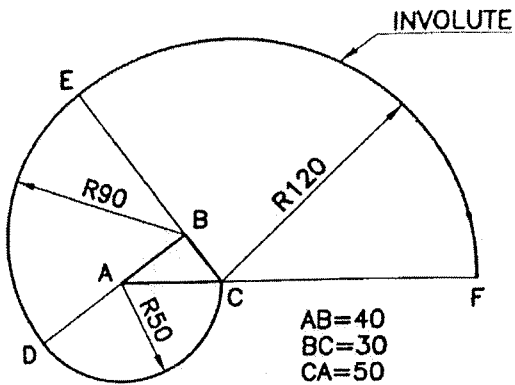
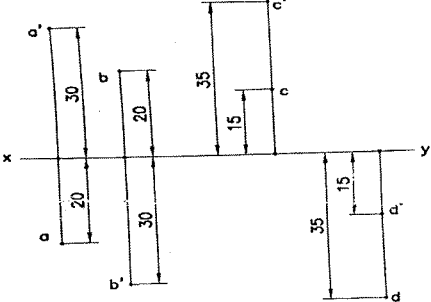
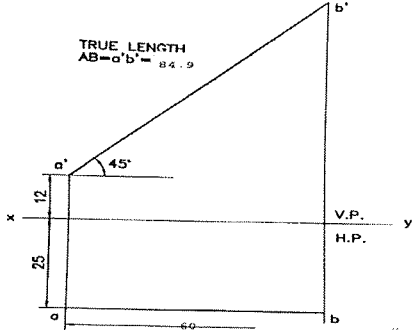
Q.No	Scoring Indicators	Split Score	Subtotal	Total Score
------	--------------------	-------------	----------	-------------

PART-A

I.1		1		1
I.2		1		1
I.3	In order to expose inner details, the object are cut by an imaginary cutting plane. This plane is called section plane	1		1
I.4	It is a pictorial orthographic projection of an object on the vertical plane of projection in such a way that its three mutually perpendicular edges makes equal angles with the plane of projection	1		1
I.5	Erase, Copy, Mirror, Offset etc.	0.5x2		1

PART-B

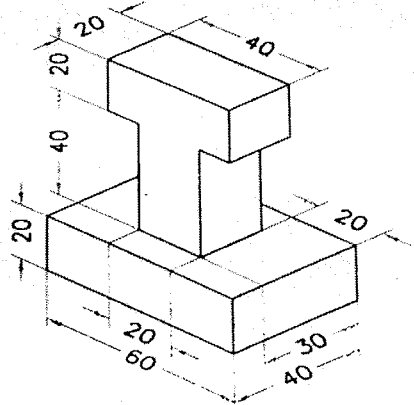
II.1		7+1(Dimension and neatness)		8
II.2		7+1(Dimensioning)		8

<p>II.3</p>		<p>7+1(Dimensioning and neatness)</p>		<p>8</p>
<p>II.4</p>		<p>7+1(Dimensioning)</p>		<p>8</p>
<p>II.5</p>		<p>2+2+2+2</p>		<p>8</p>
<p>II.6</p>		<p>3+3+2</p>		<p>8</p>

<p>II.7</p>		<p>3+3+2</p>		<p>8</p>
-------------	--	--------------	--	----------

PART-C
(Maximum Marks:30)

<p>I</p>		<p>5+5+5</p>		<p>15</p>
<p>II</p>		<p>8+7</p>		<p>15</p>

III				15
-----	---	--	--	----