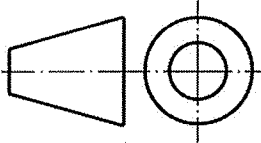


PART – A

I. Answer the following questions in one word or sentence or sketch. Each question carries 1 mark.

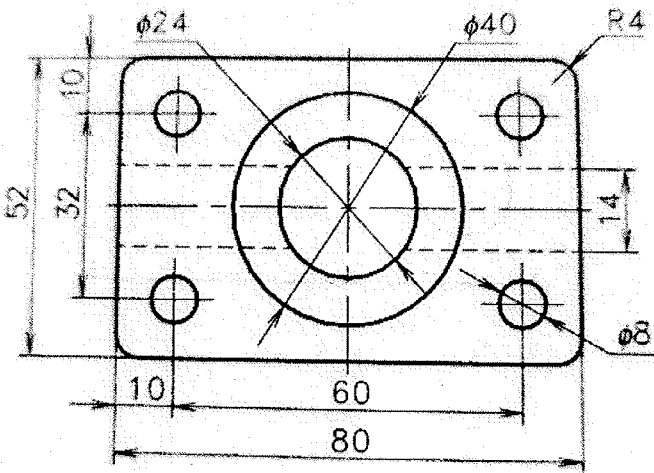
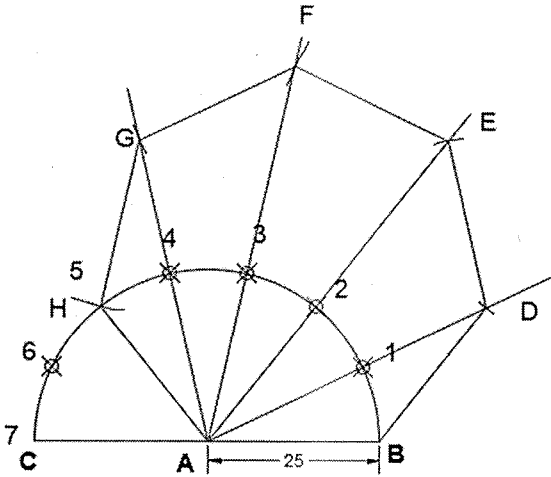
(5x1=5 Marks)

1	A Plain Scale is the simplest scale which shows only two consecutive units such as millimeters and centimeters.	1	
2	1 (One)	1	
3		1	
4	An orthographic projection is a drawing in which a three-dimensional object is represented in two dimensions.	1	
5	Center, Radius 2 – Points Tan, Tan, Radius	Center, Diameter 3 – Points Tan, Tan, Tan	<b>Write any Two</b> ( $\frac{1}{2} + \frac{1}{2}$ ) 1

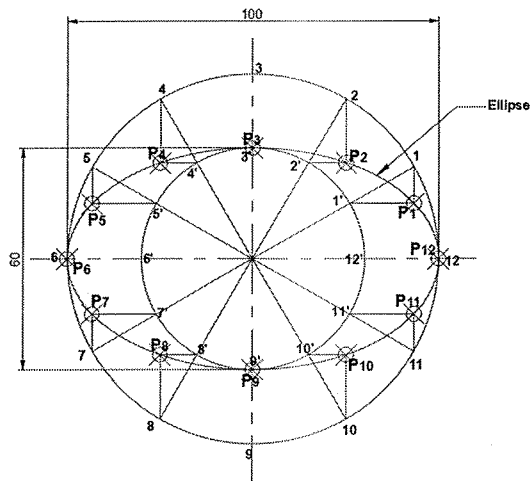
PART – B

II Answer any five questions from the following. Each question carries 8 marks.

(5x8=40 Marks)

1		Drawing – 2 Dimensioning – 6	8
2		Drawing – 4 Dimensioning – 2 Labelling – 1 Neatness – 1	8

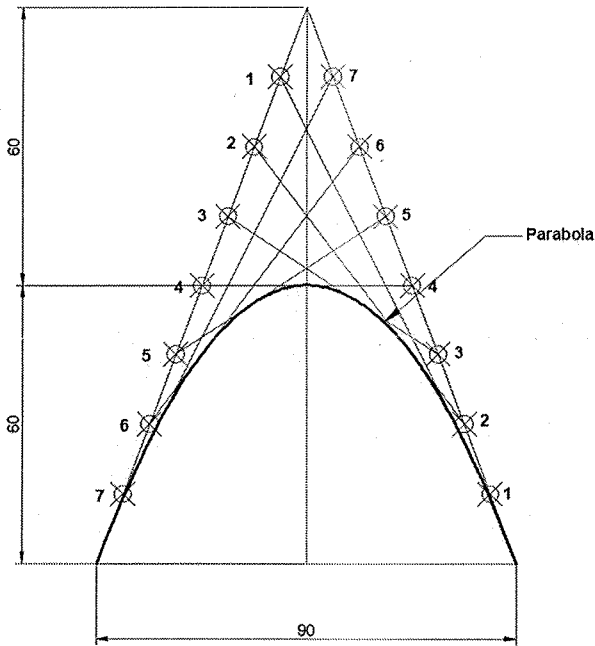
3



Drawing - 4  
 Dimensioning - 2  
 Labelling - 1  
 Neatness - 1

8

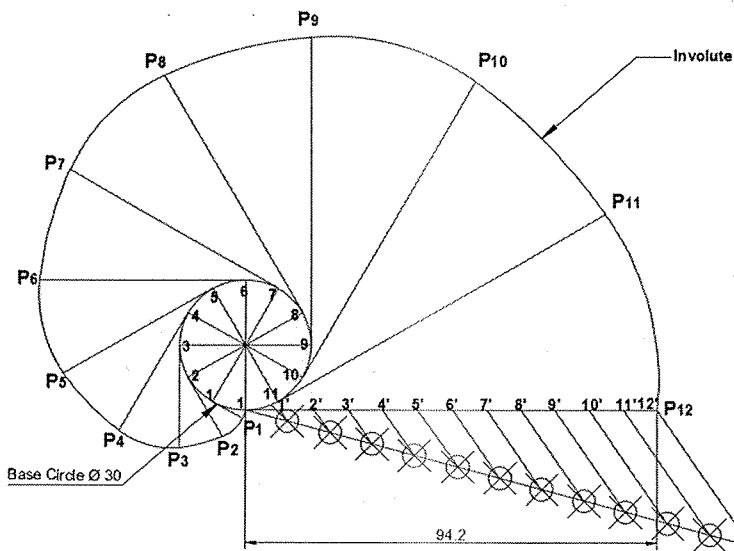
4



Drawing - 4  
 Dimensioning - 2  
 Labelling - 1  
 Neatness - 1

8

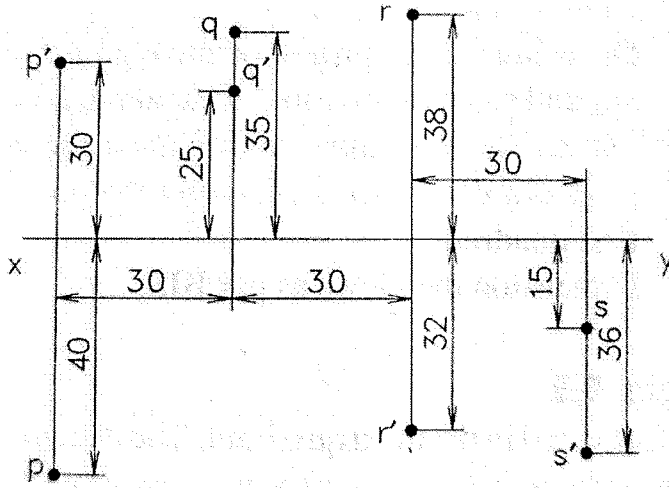
5



Drawing - 4  
 Dimensioning - 2  
 Labelling - 1  
 Neatness - 1

8

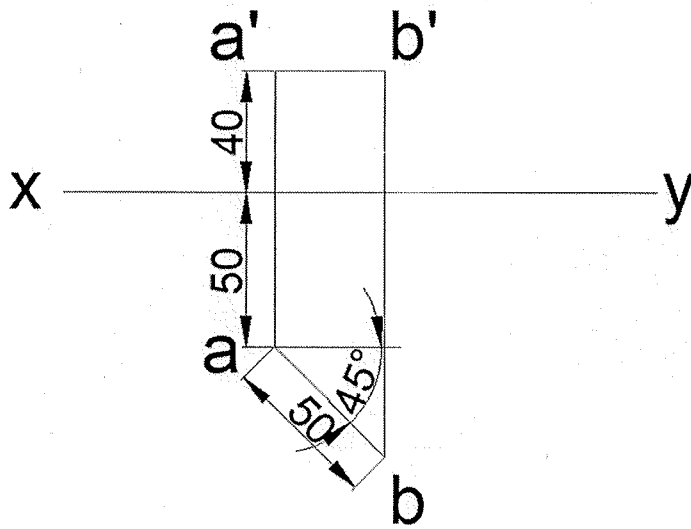
6



4 Point - 4  
 Distance marking - 2  
 Labelling - 1  
 Neatness - 1

8

7



Drawing - 4  
 Dimensioning - 2  
 Labelling - 1  
 Neatness - 1

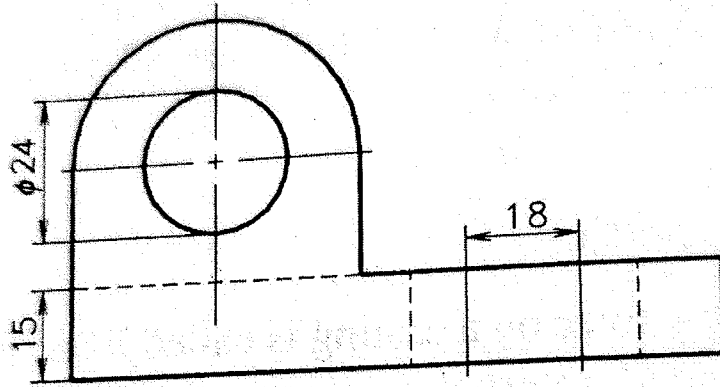
8

PART - C

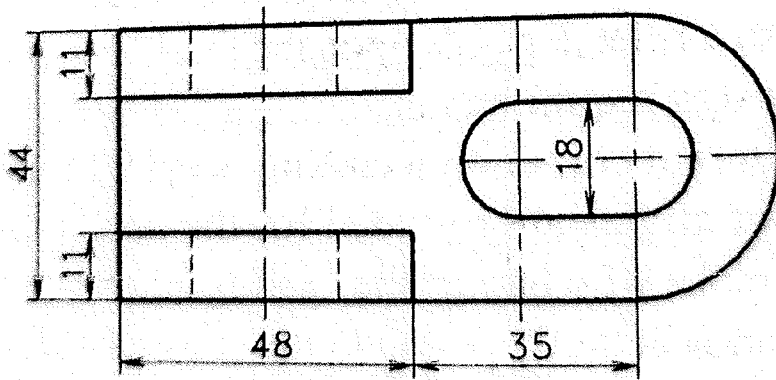
III Answer any two questions from the following. Each question carries 15 marks.

(15x2=30 Marks)

1



Elevation

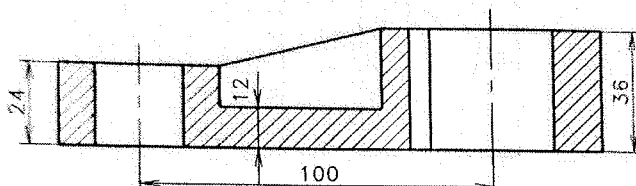


Plan

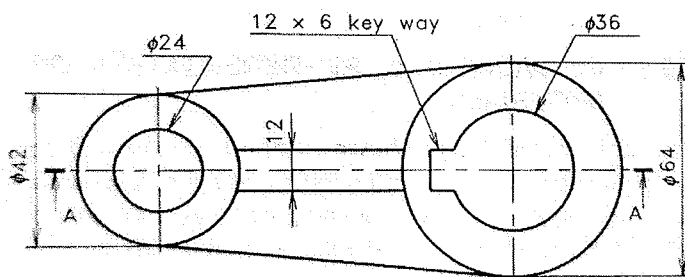
Front View - 7  
 Top View - 5  
 Dimensioning - 2  
 Neatness - 1

15

2



Full sectional elevation (section AA)

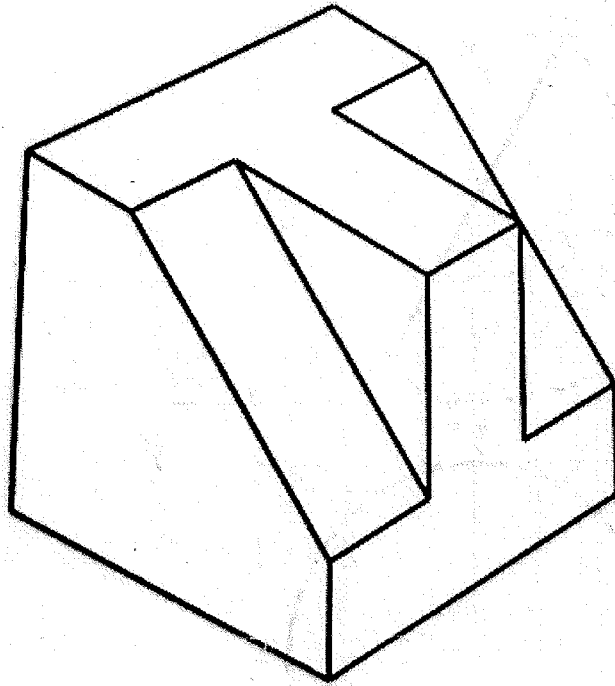


Plan

Sectional Front View - 7  
 Top View - 5  
 Dimensioning - 2  
 Neatness - 1

15

3



Isometric View – 10  
Isometric angle line – 2  
Dimensioning – 2  
Neatness - 1

15