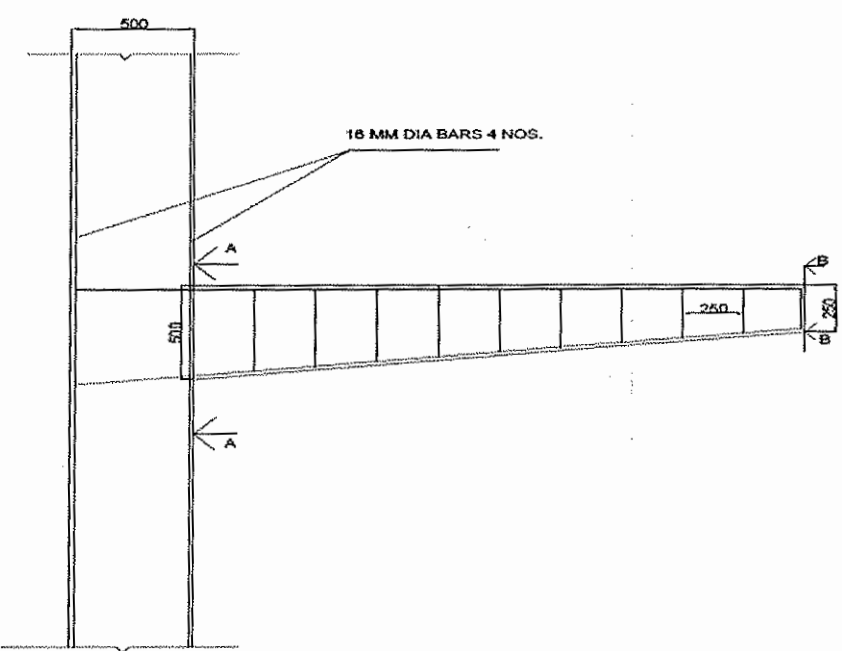
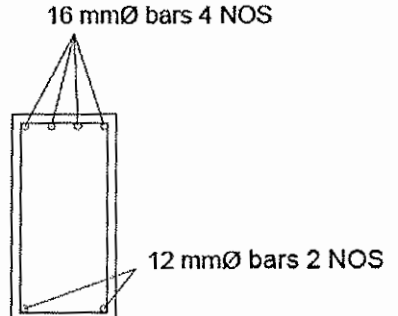
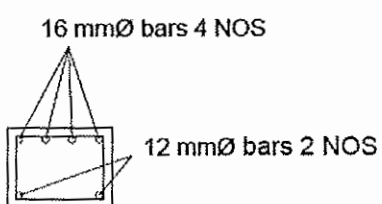


SCHEME OF EVALUATION

(Scoring indicators)

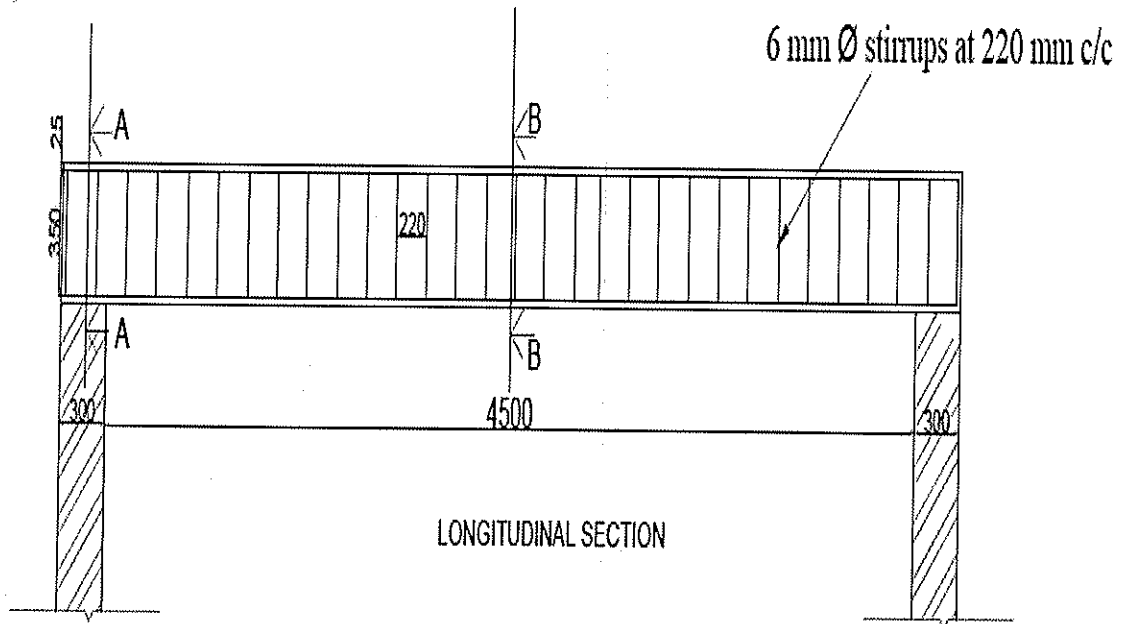
Revision 2015

Course: Structural and irrigation engineering drawing (6011)

Q. No.	Scoring indicators
I	<p>UNIT 1</p> <p>CANTILEVER BEAM</p> <div style="display: flex; justify-content: space-between; align-items: flex-start;"> <div style="width: 60%;"> <p>a)</p>  </div> <div style="width: 35%; text-align: right;"> <p>Correct drawing - 8 Dimensioning - 2 Neatness - 1 Reinforcement details - 4</p> </div> </div> <div style="display: flex; justify-content: space-around;"> <div style="width: 45%;"> <p>b)</p>  <p style="text-align: center;">CROSS SECTION AT SUPPORT A-A</p> </div> <div style="width: 45%;">  <p style="text-align: center;">CROSS SECTION AT FREE END B-B</p> </div> </div> <div style="text-align: center;"> <p>Correct drawing - 6 Dimensioning - 1 Neatness - 1 Reinforcement details - 2</p> </div>

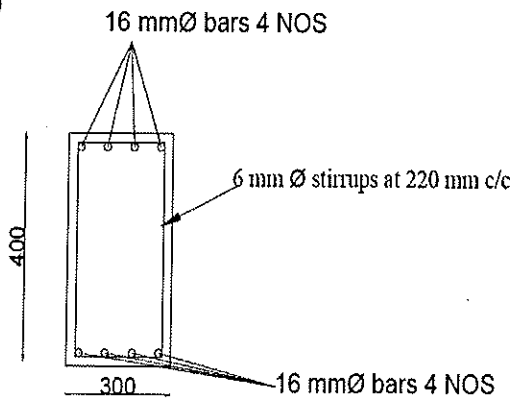
II

a)

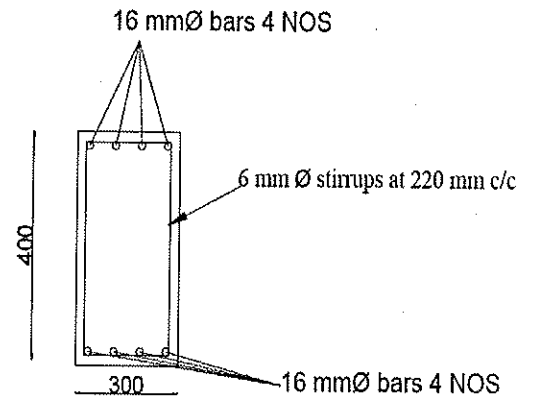


Correct drawing - 8
Dimensioning - 2
Neatness - 1
Reinforcement details - 4

b)



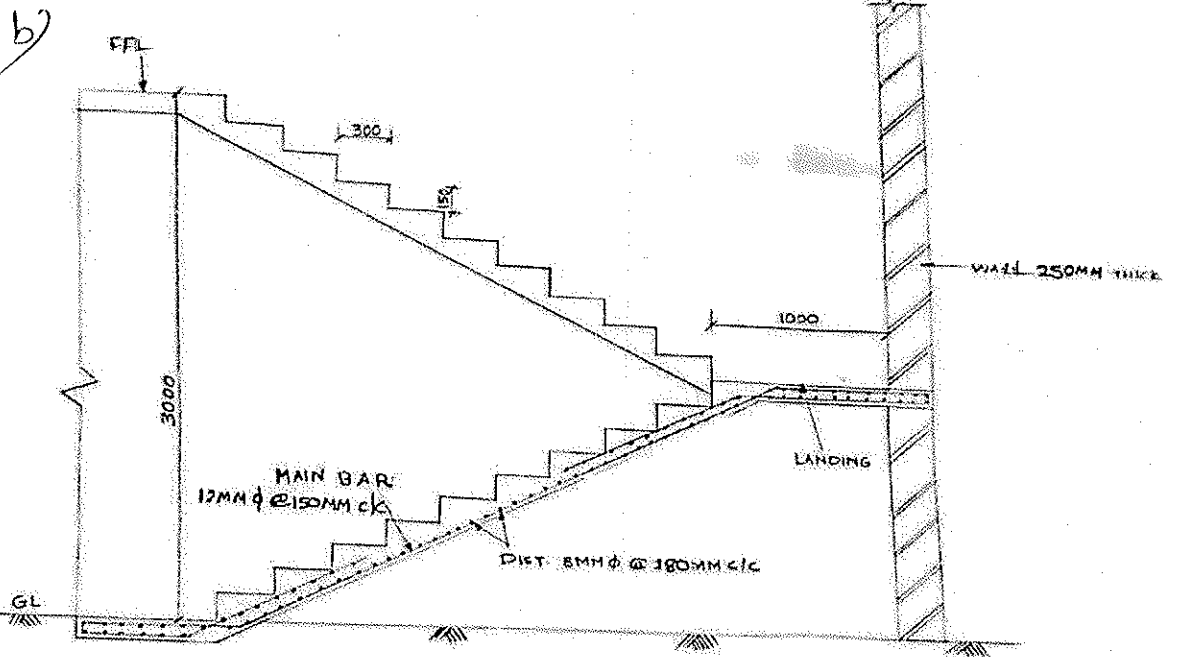
CROSS SECTION AT SUPPORT A-A



CROSS SECTION AT CENTRE B-B

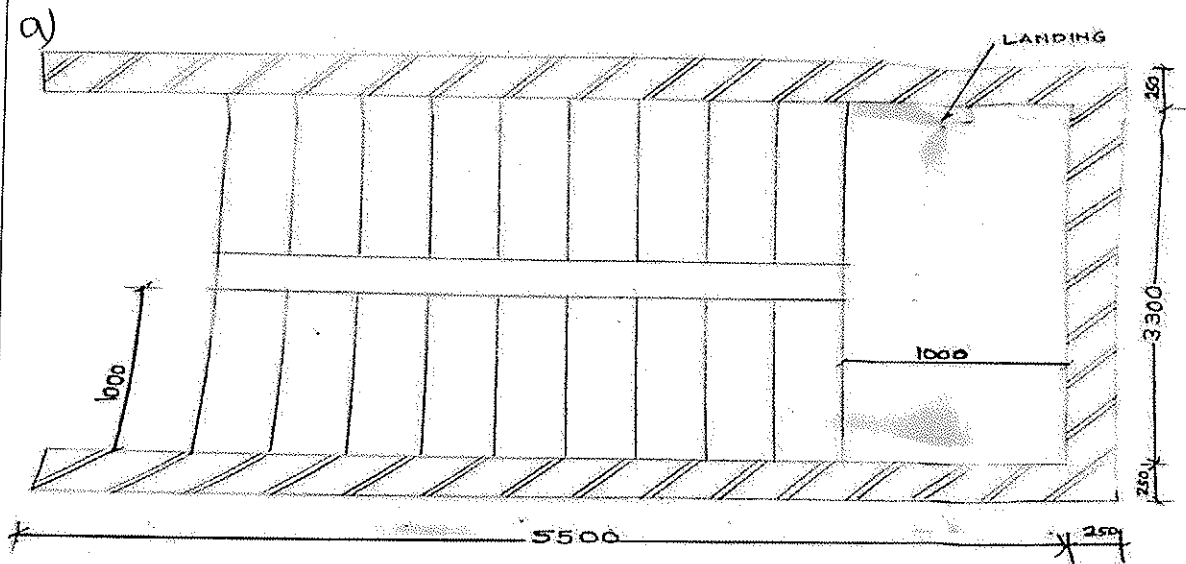
Correct drawing - 6
Dimensioning - 1
Neatness - 1
Reinforcement details - 2

III



LONGITUDINAL SECTION

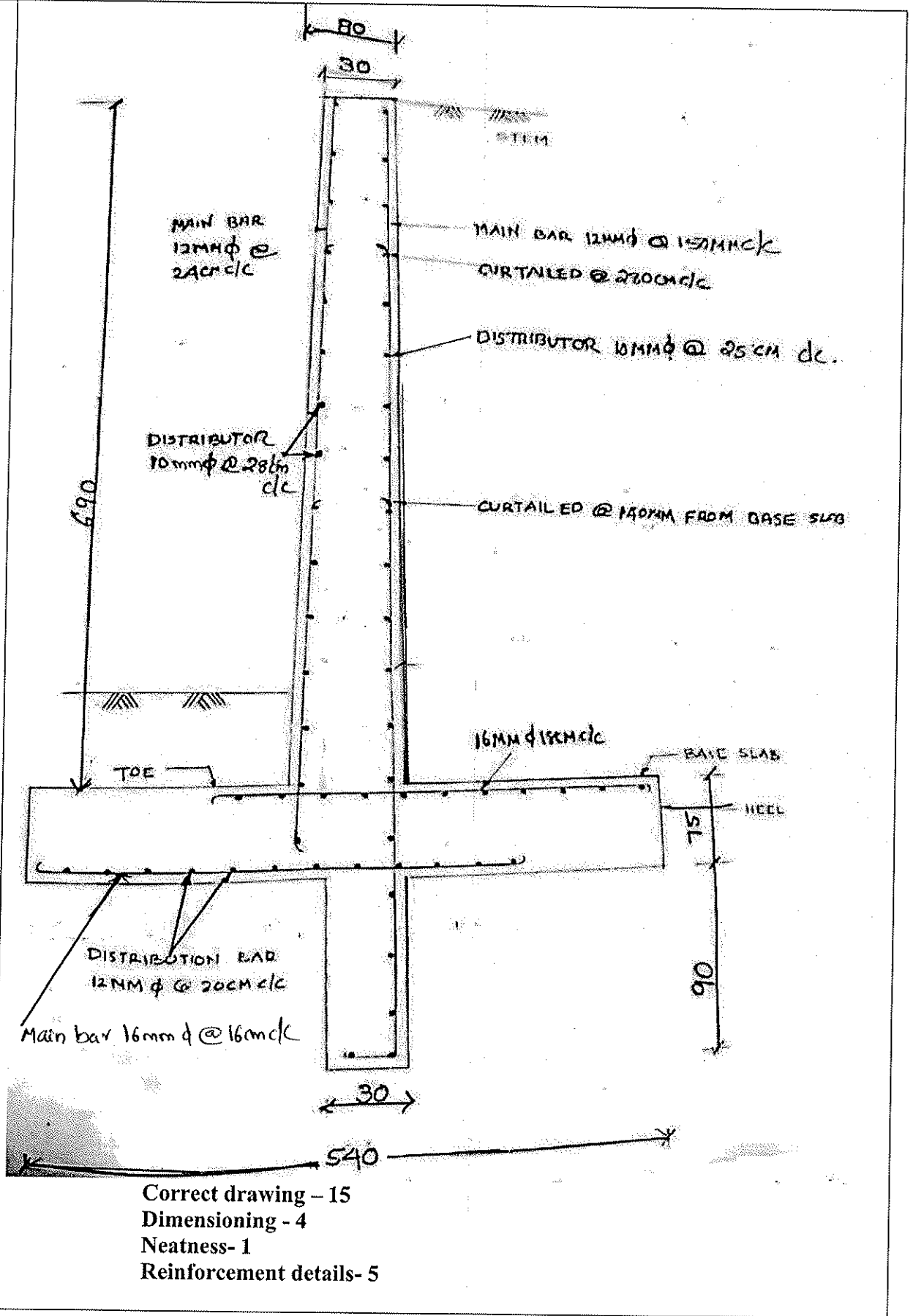
Correct drawing - 8
Dimensioning - 2
Neatness - 1
Reinforcement details - 4



PLAN

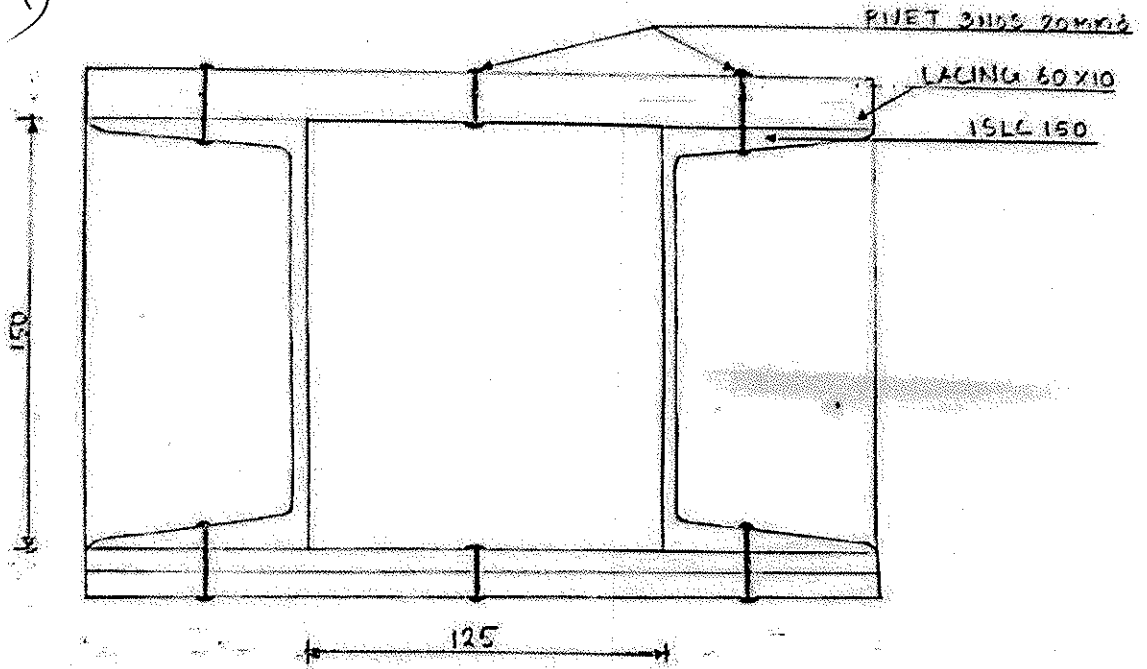
Correct drawing - 7
Dimensioning - 2
Neatness - 1

IV



V

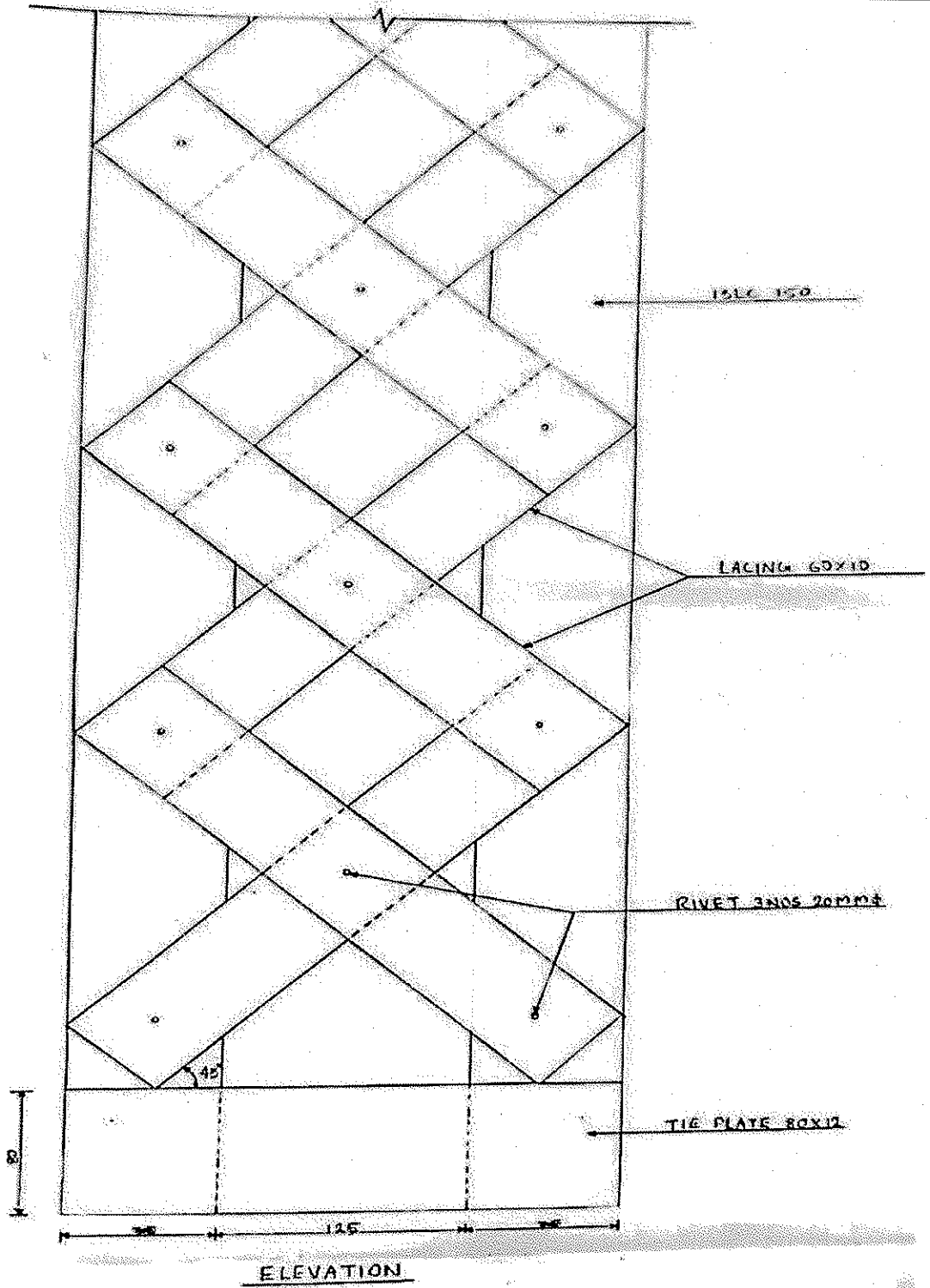
a)



PLAN

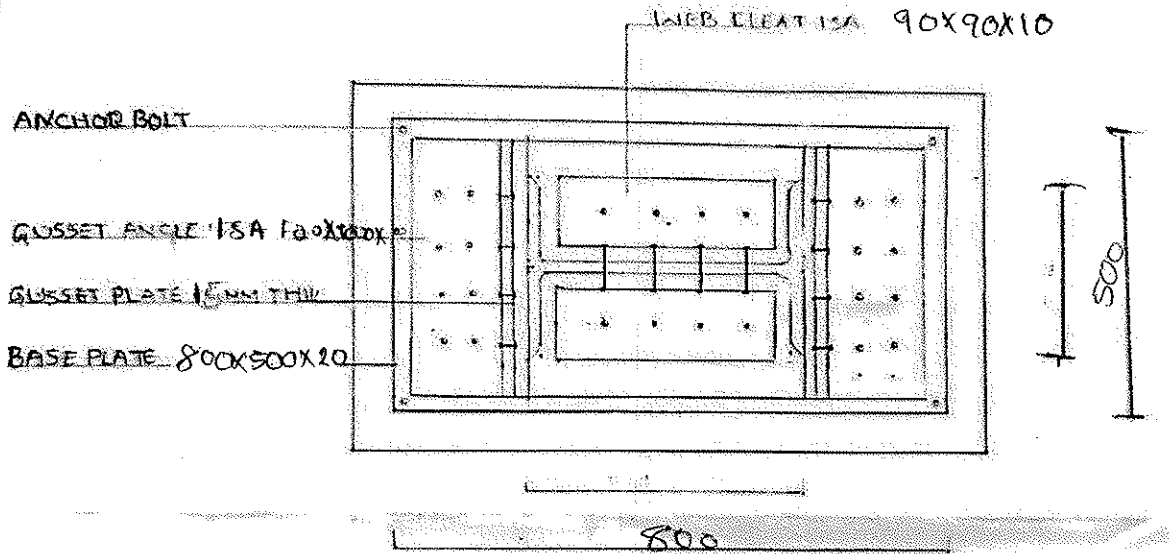
Correct drawing - 6
Dimensioning & Labelling -3
Neatness -1

b)

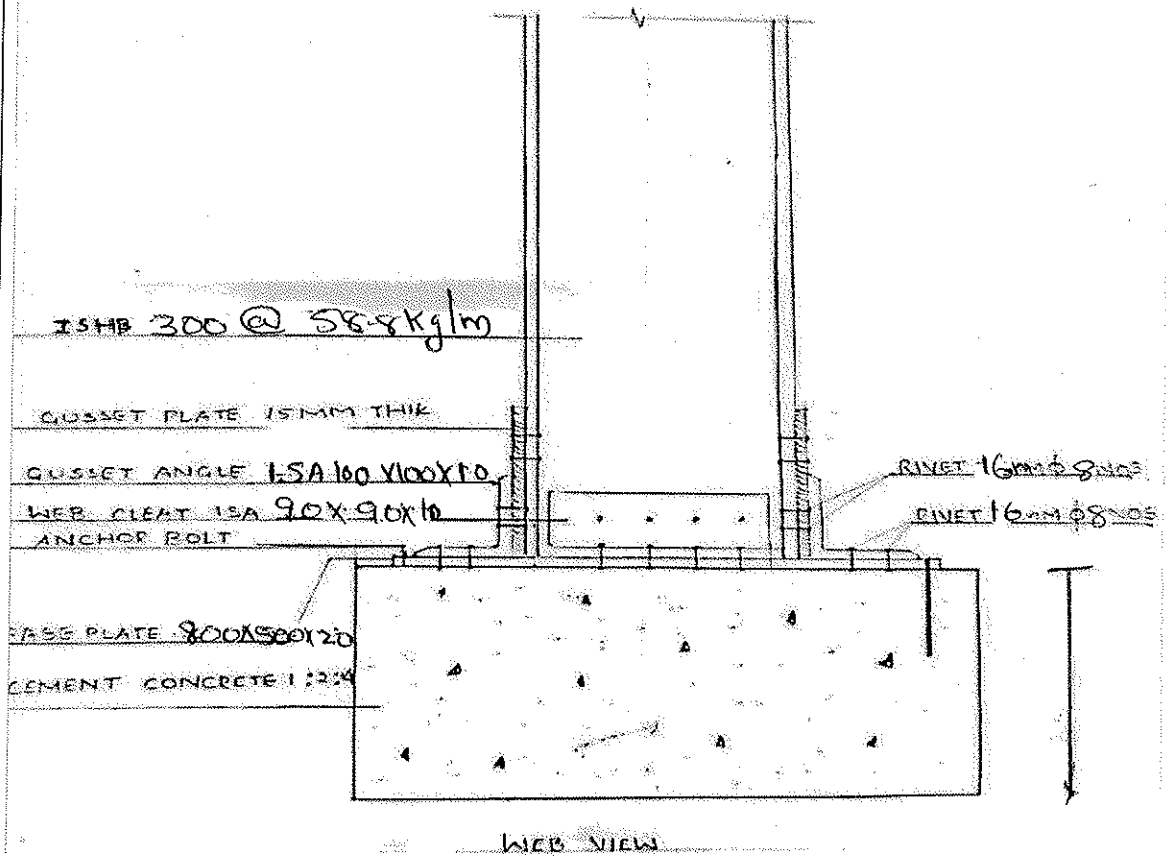


Correct drawing - 8
Dimensioning & Labelling -5
Neatness -2

VI

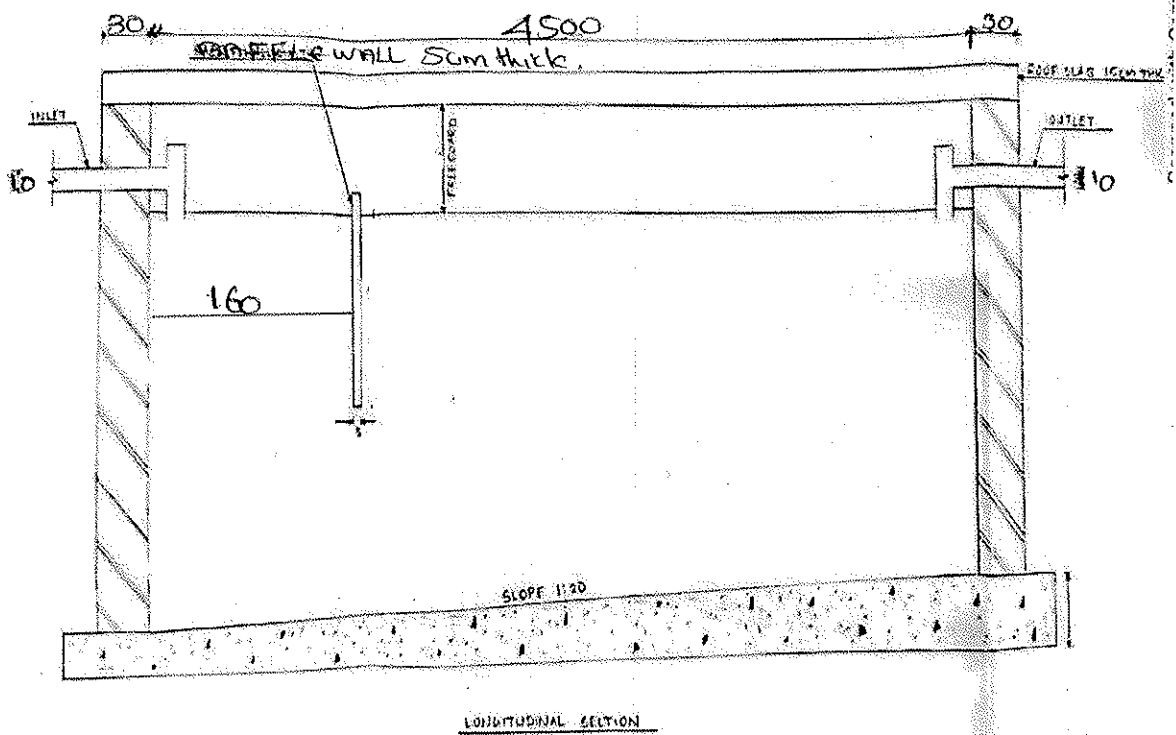
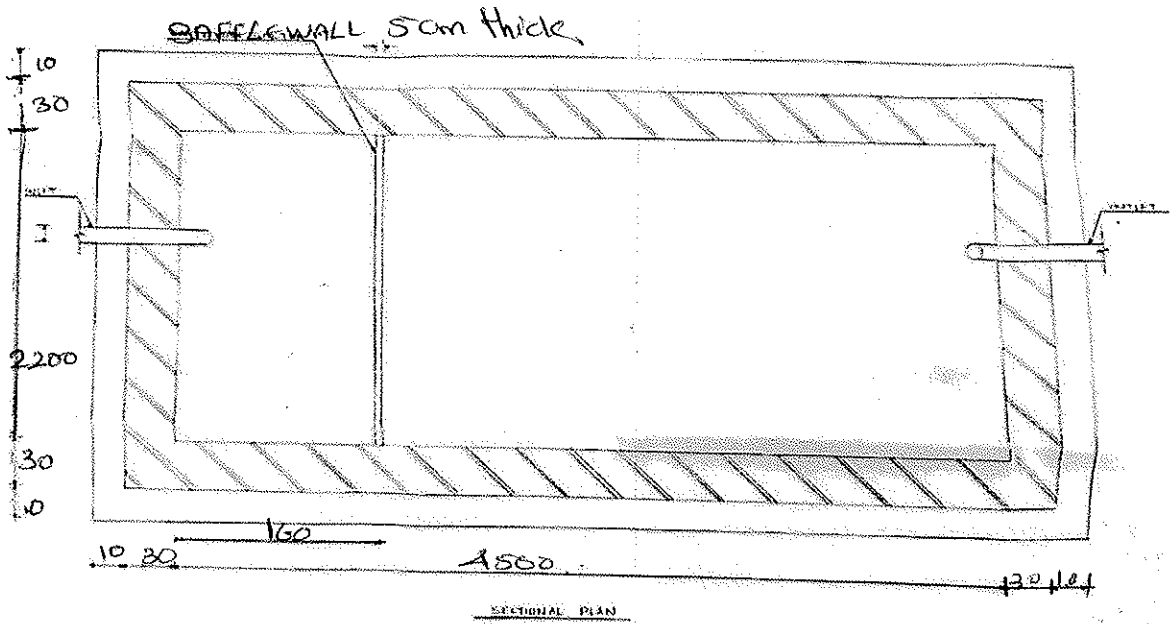


Correct drawing - 6
Dimensioning & Labelling -3
Neatness -1



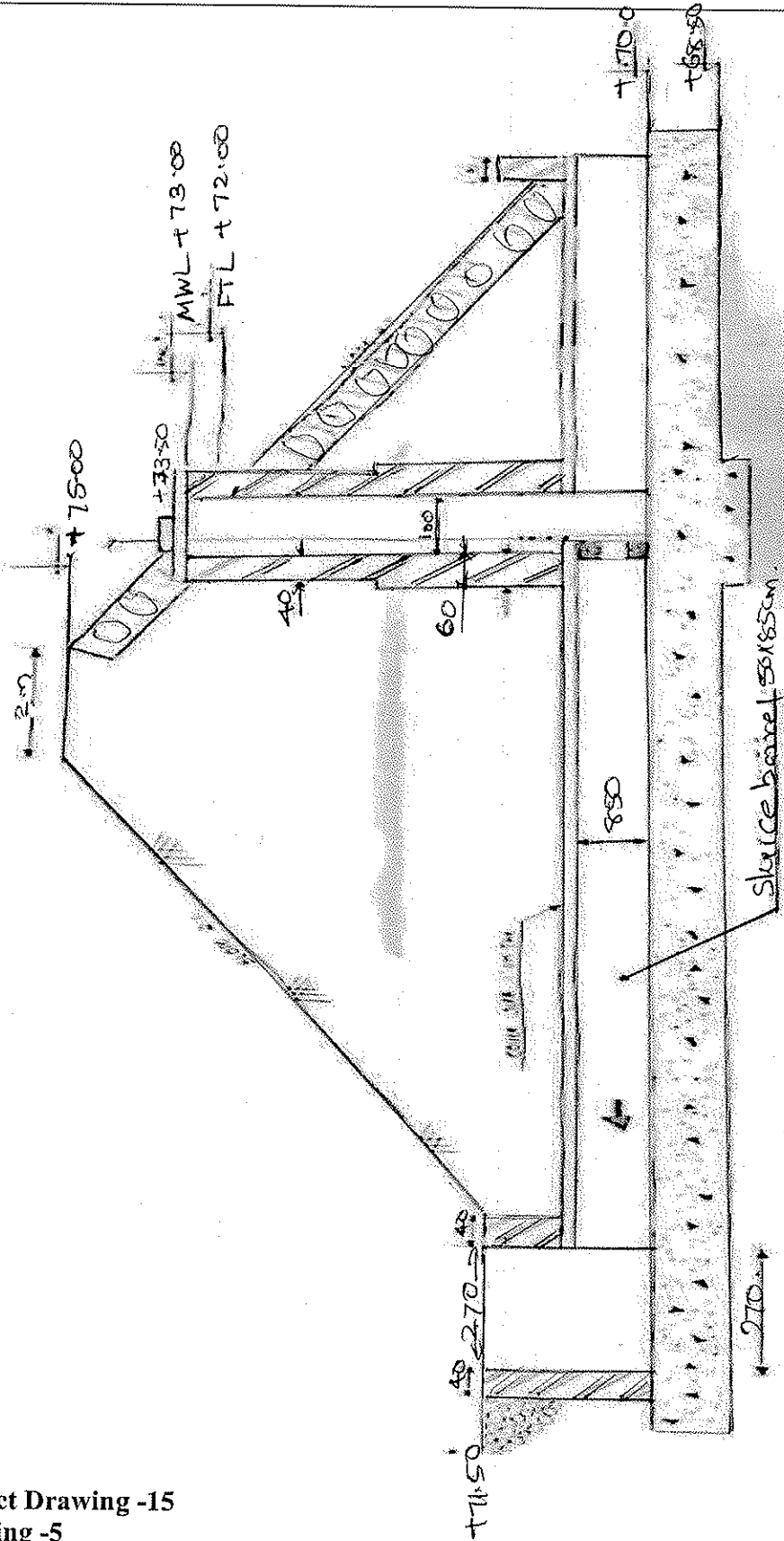
Correct drawing - 8
Dimensioning & Labelling -5
Neatness -2

VII



Plan -10
Longitudinal section -10
Dimensioning & Labelling - 5

VIII



Correct Drawing -15
Detailing -5
Dimensioning -5