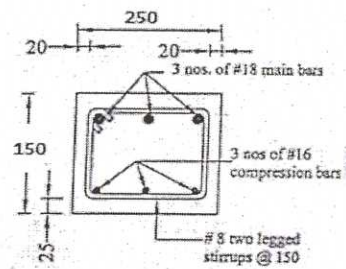
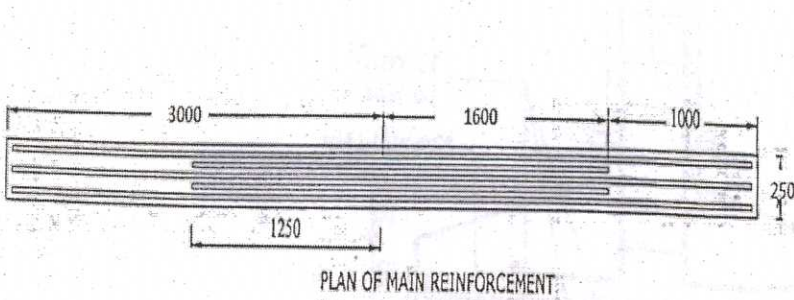
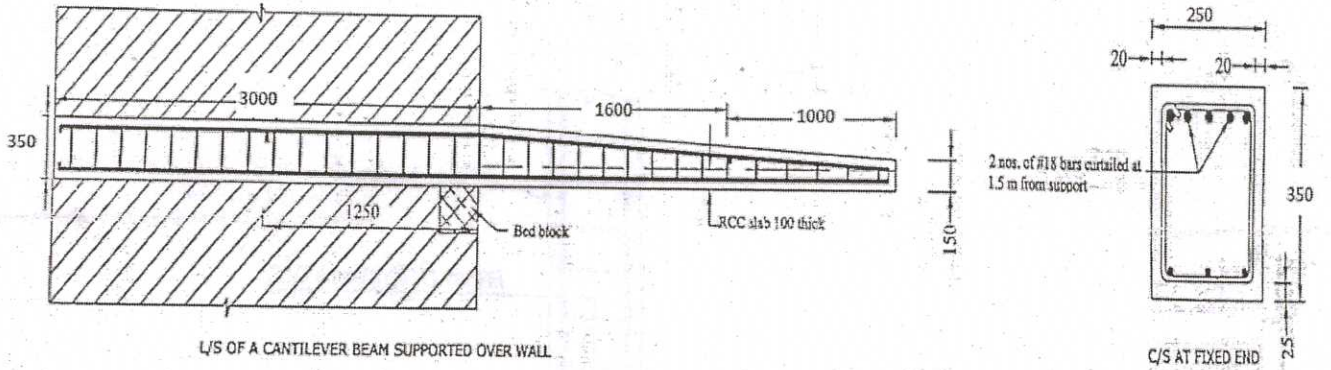


TED (15) 6011
(Revision 2015)

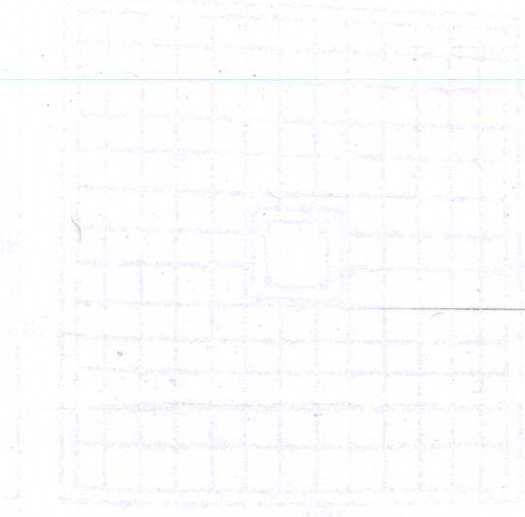
⑥ D 1

I



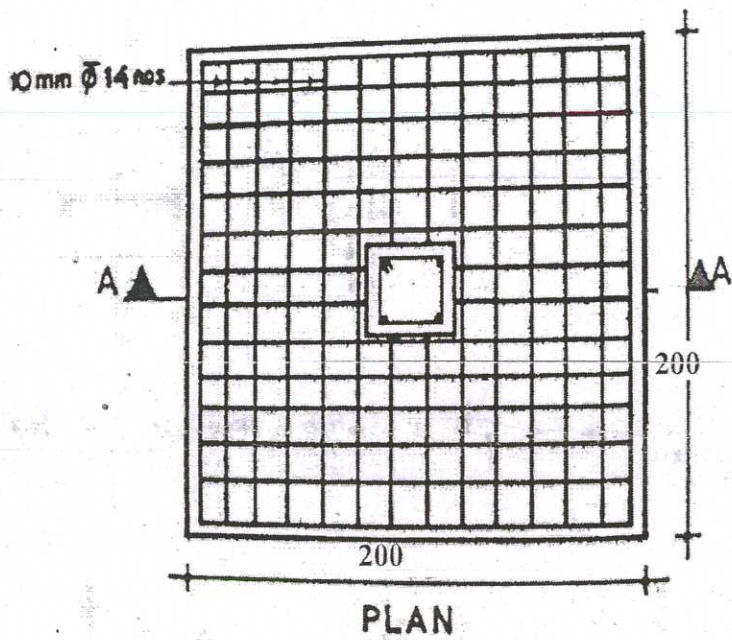
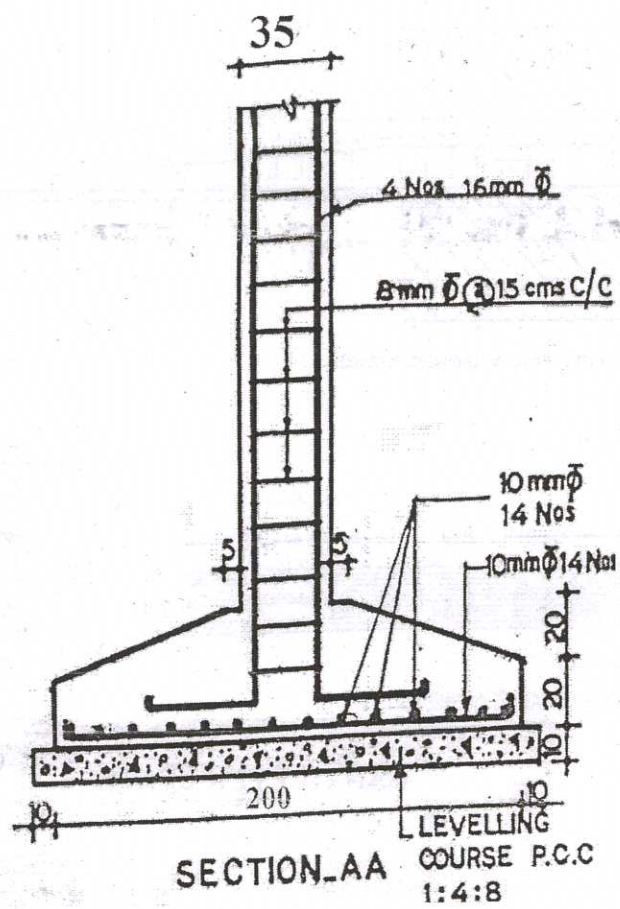
CANTILEVER BEAM

Section - 10
plan - 5
Section fixed - 5
free end - 5



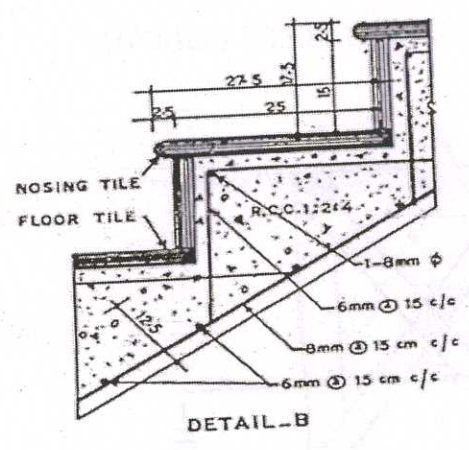
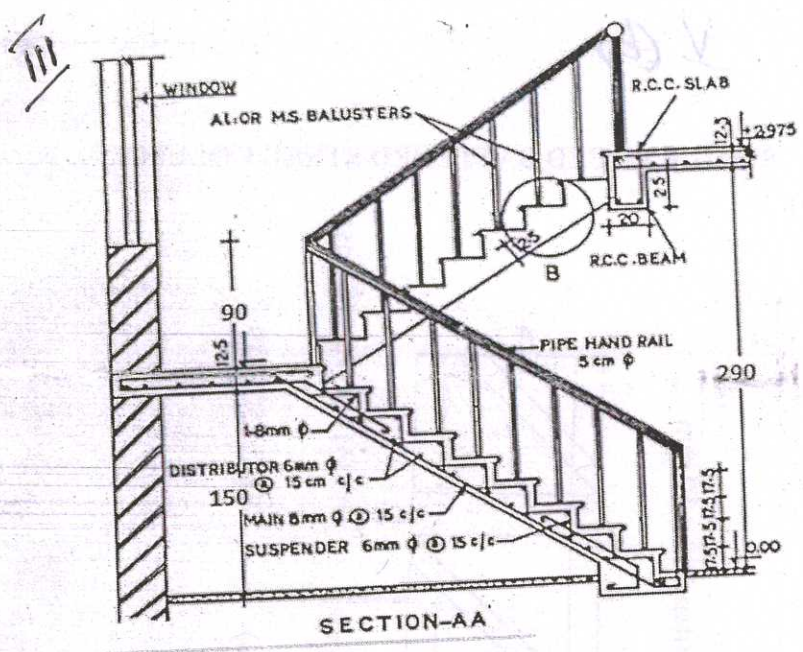
Faint handwritten notes at the bottom left of the page.

II



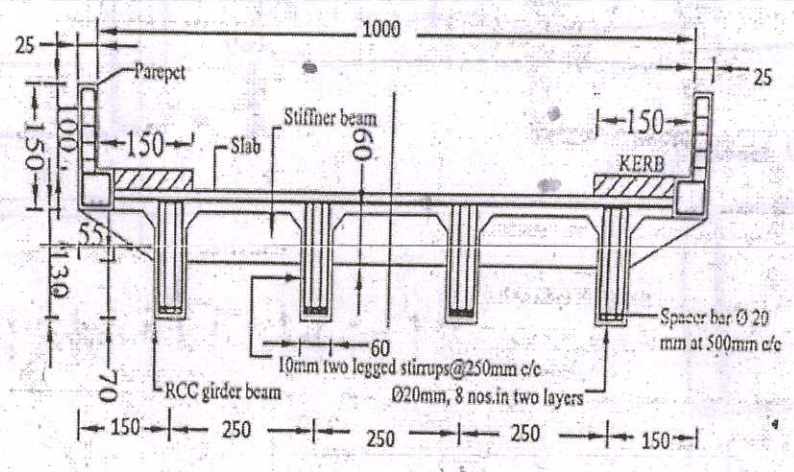
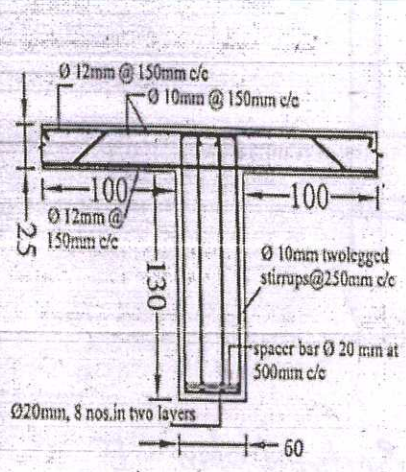
ISOLATED COLUMN FOOTING

plan - 5
 Plan reinforcement details - 5
 Section - 5
 Section reinforcement details - 10



Sectional elevation - 15
 Reinforcement detail - 10

IV



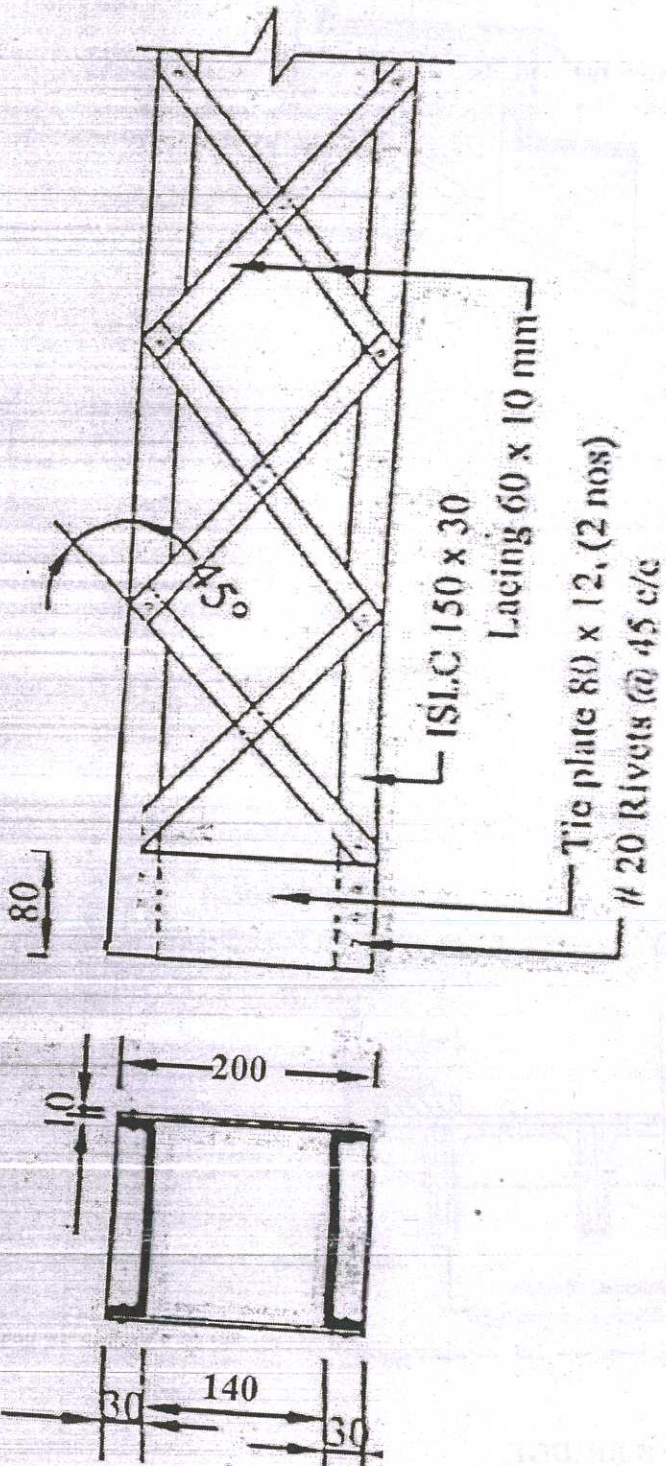
RCC TEE BEAM AND SLAB BRIDGE

Cross sectional elevation - 15
 Reinforcement detail - 10

h

(a)

DOUBLE LACED STEEL COLUMN

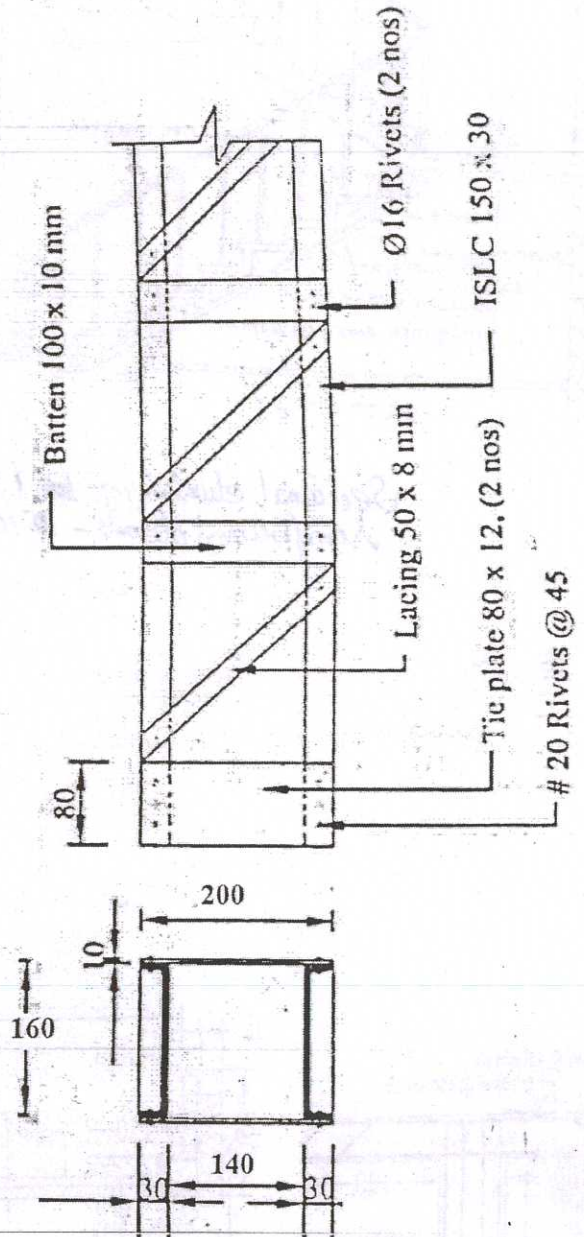


Sectional plan - 5
Elevation - 8

4

(b)

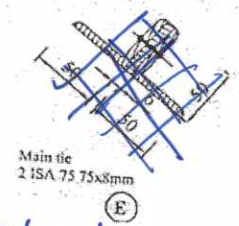
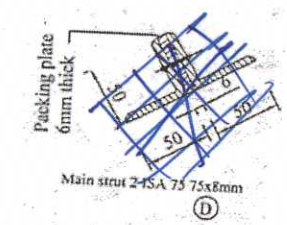
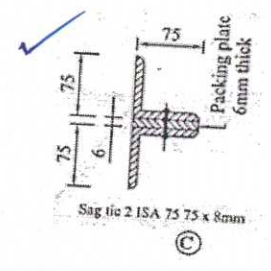
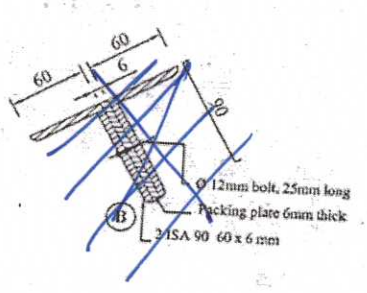
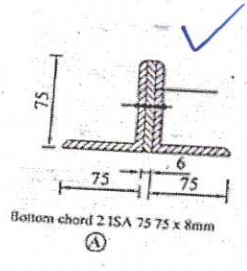
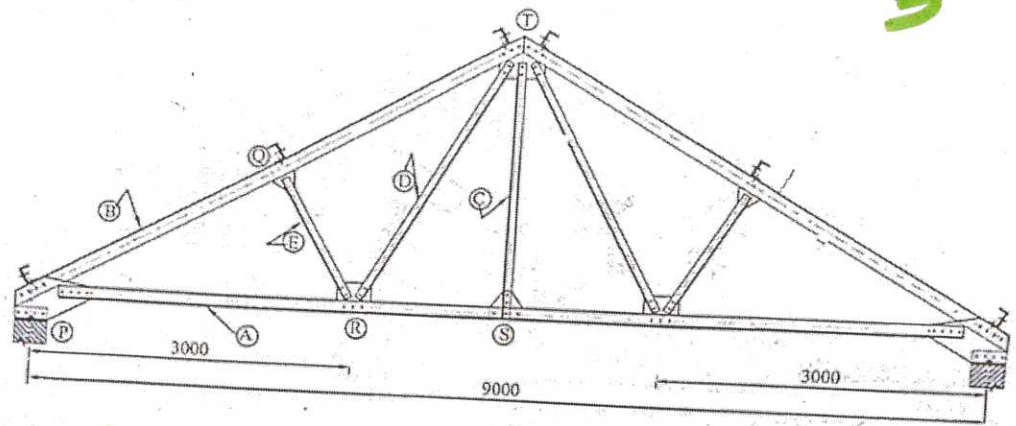
SINGLE LACED BATTENED STEEL COLUMN



Sectional plan - 5
Elevation - 7

5

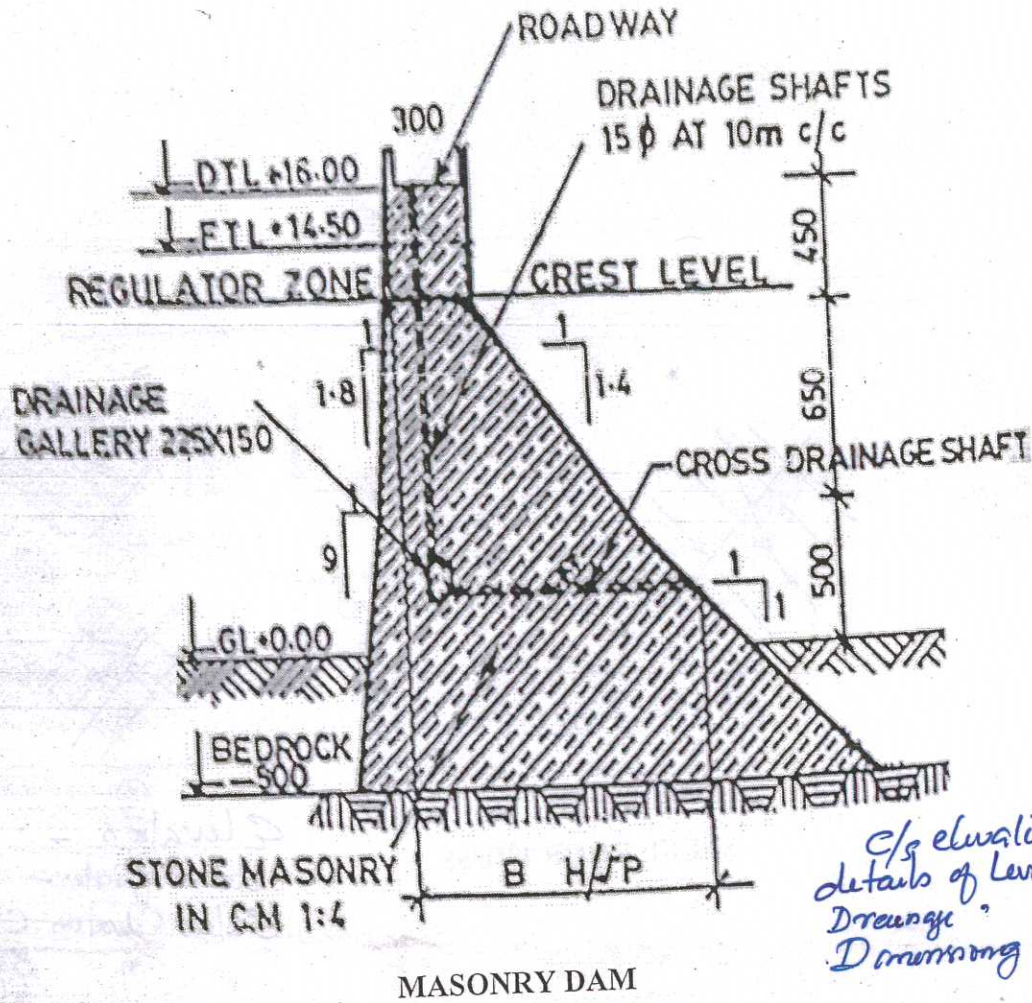
VI



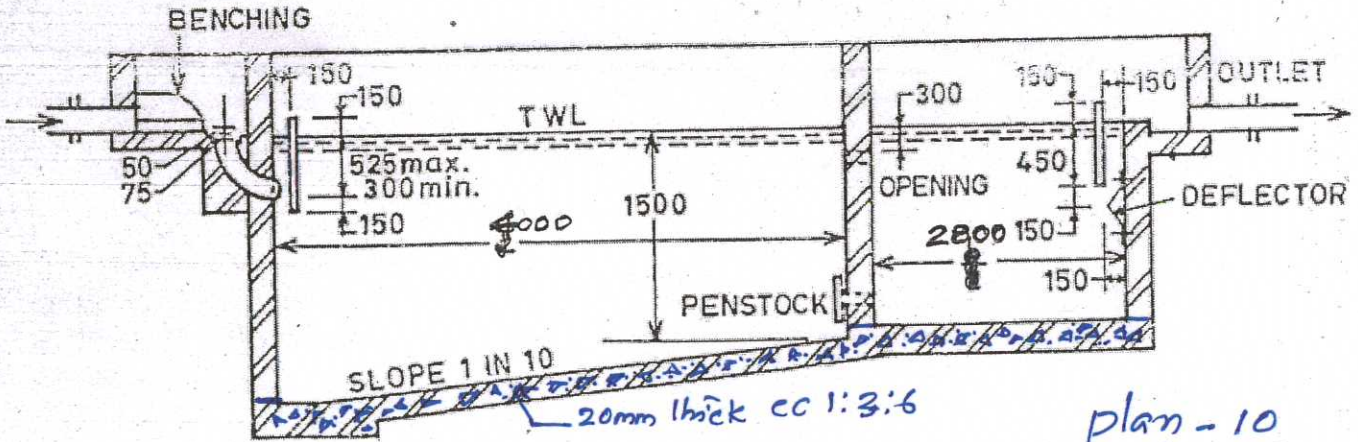
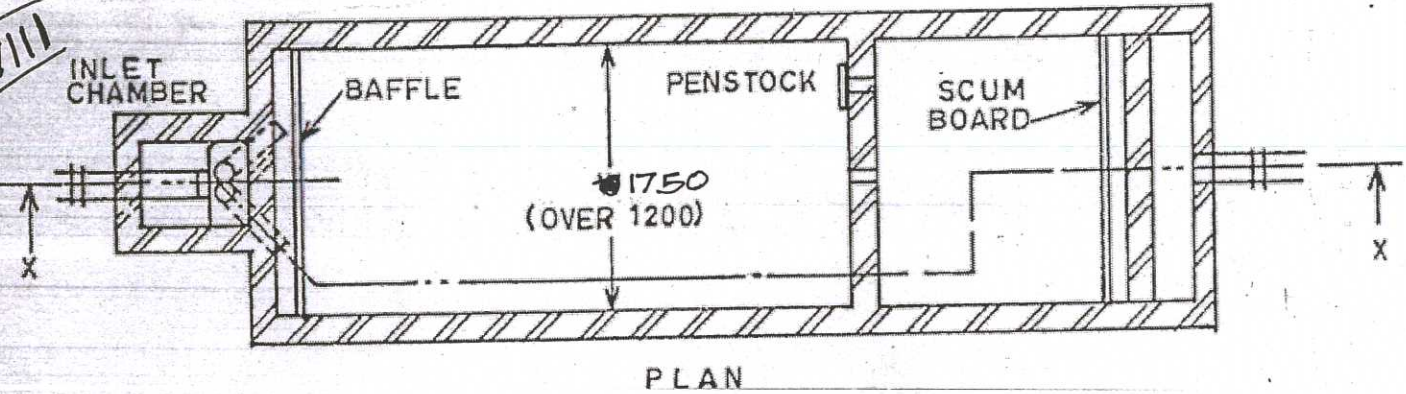
STEEL ROOF TRUSS

Elevation - 10
 details of section - 5
 Section Evaluation - Chord - 5
 " Sag tie - 5

VII



VIII



ALL DIMENSIONS IN MILLIMETRES.

plan - 10

Elevation - 10

Dimensioning - 5