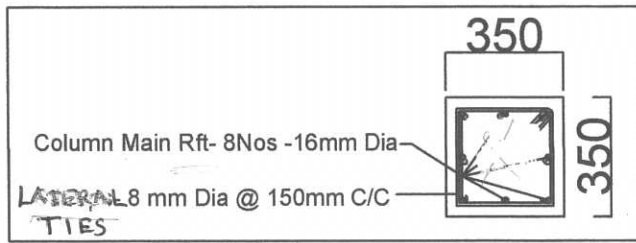
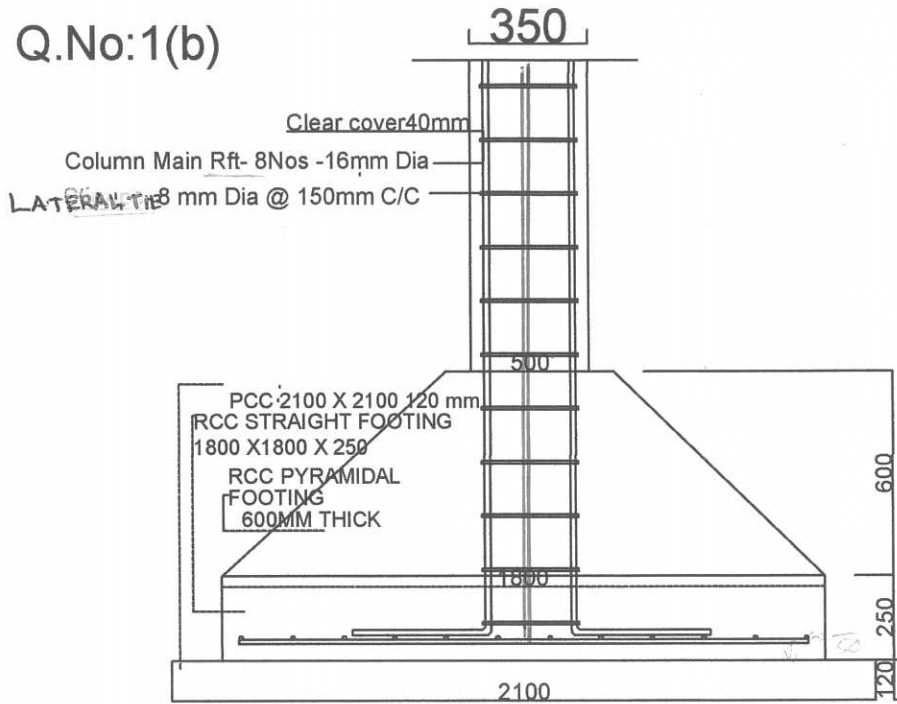


9

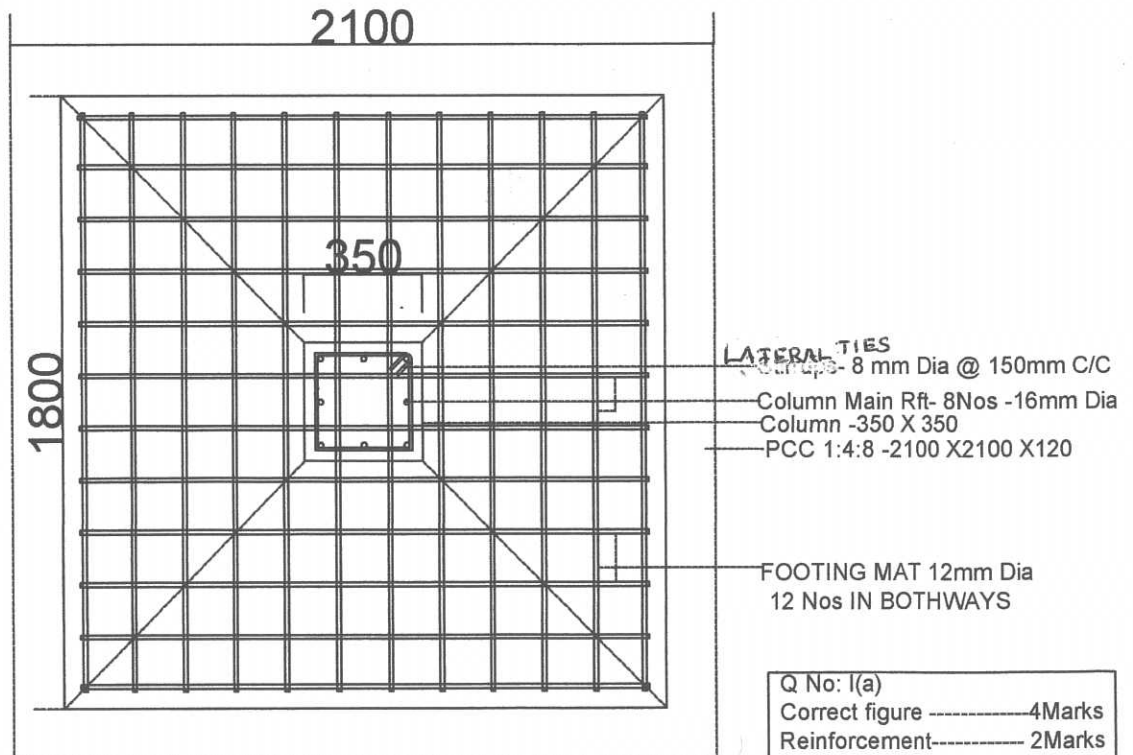


Q.No:1(b)



Q No: 1 (b)	
Correct figure	6Marks
Reinforcement	3Marks
Dimensions	3Marks
Detailing	3Marks
TOTAL	15marks

Q.No:1(a)



Q No: 1(a)	
Correct figure	4Marks
Reinforcement	2Marks
Dimensions	2Marks
Detailing	2Marks
TOTAL	10marks

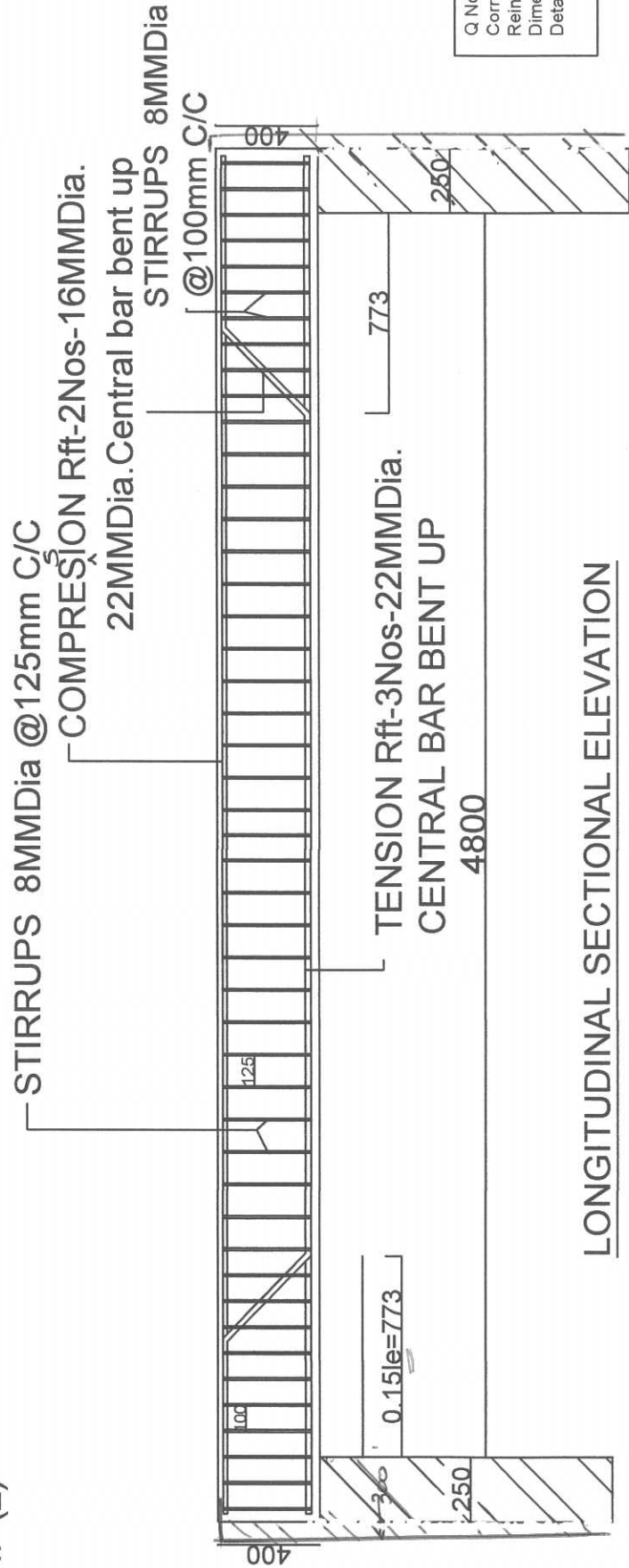
Q No: II (1)



Q No:II(1)

Correct figure	2+2 = 4Marks
Reinforcement	1+1 =2Marks
Dimensions	1+1 =2Marks
Detailing	1+1 =2Marks
TOTAL	= 10marks

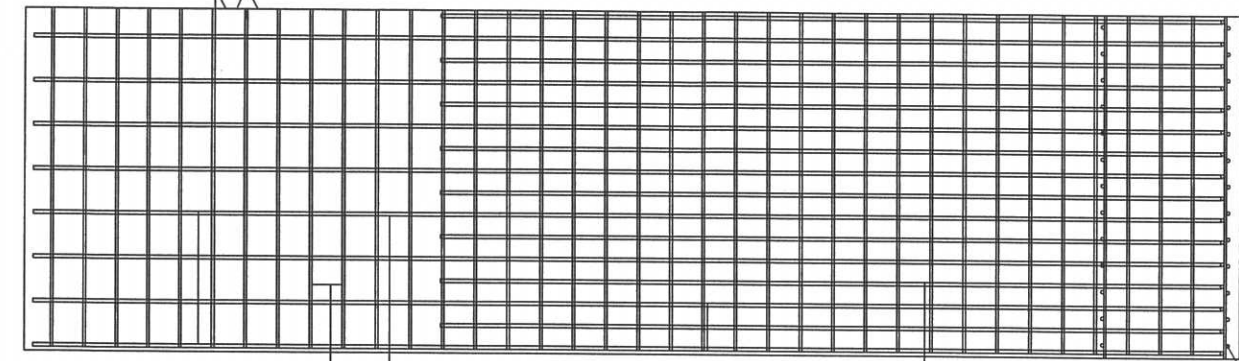
Q No: II (2)



Q No:II (2)

Correct figure	6Marks
Reinforcement	3Marks
Dimensions	3Marks
Detailing	3Marks
TOTAL	=15 marks

TOP LEVEL +14.5



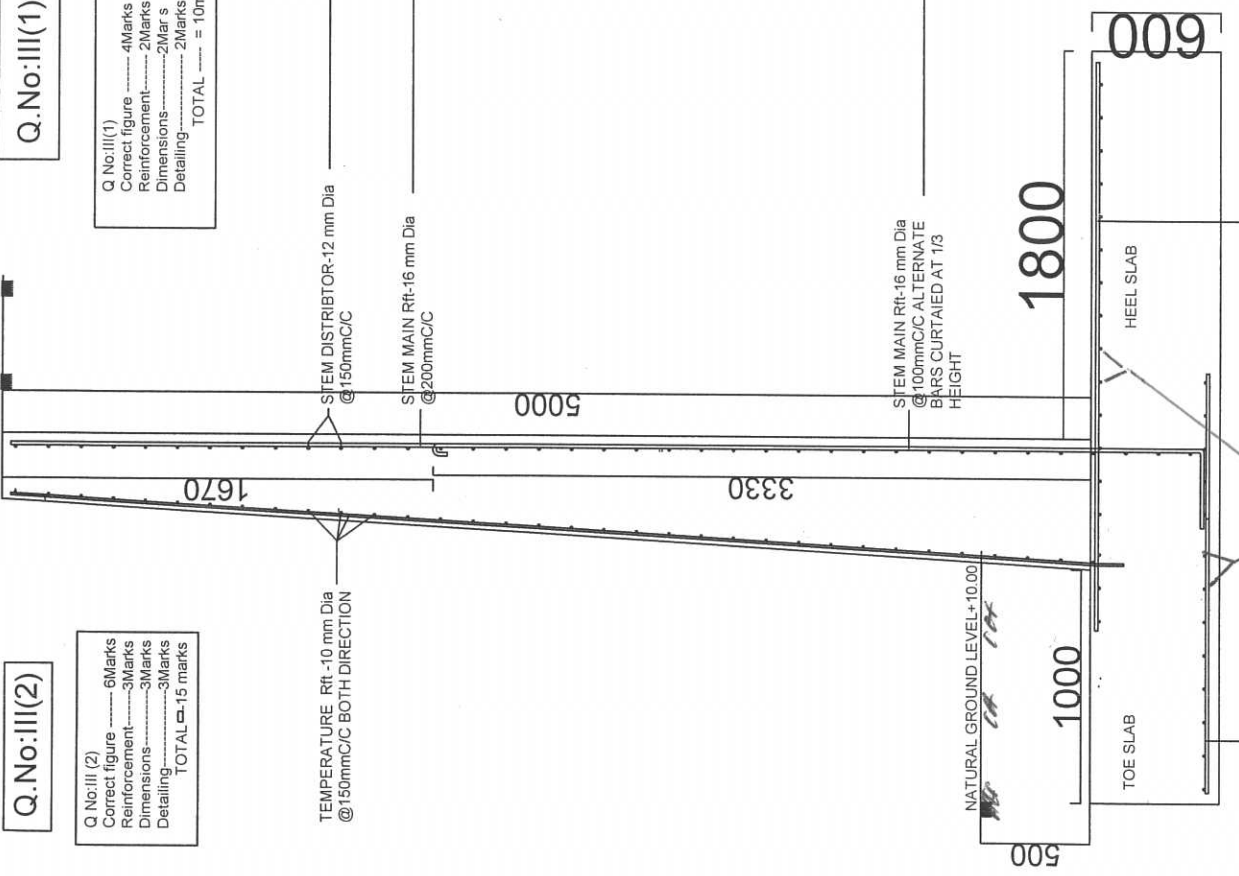
LS ELEVATION

Q.No:III(1)

Q No:III(1)
 Correct figure 4Marks
 Reinforcement 2Marks
 Dimensions 2Marks
 Detailing 2Marks
 TOTAL = 10marks

Q.No:III(2)

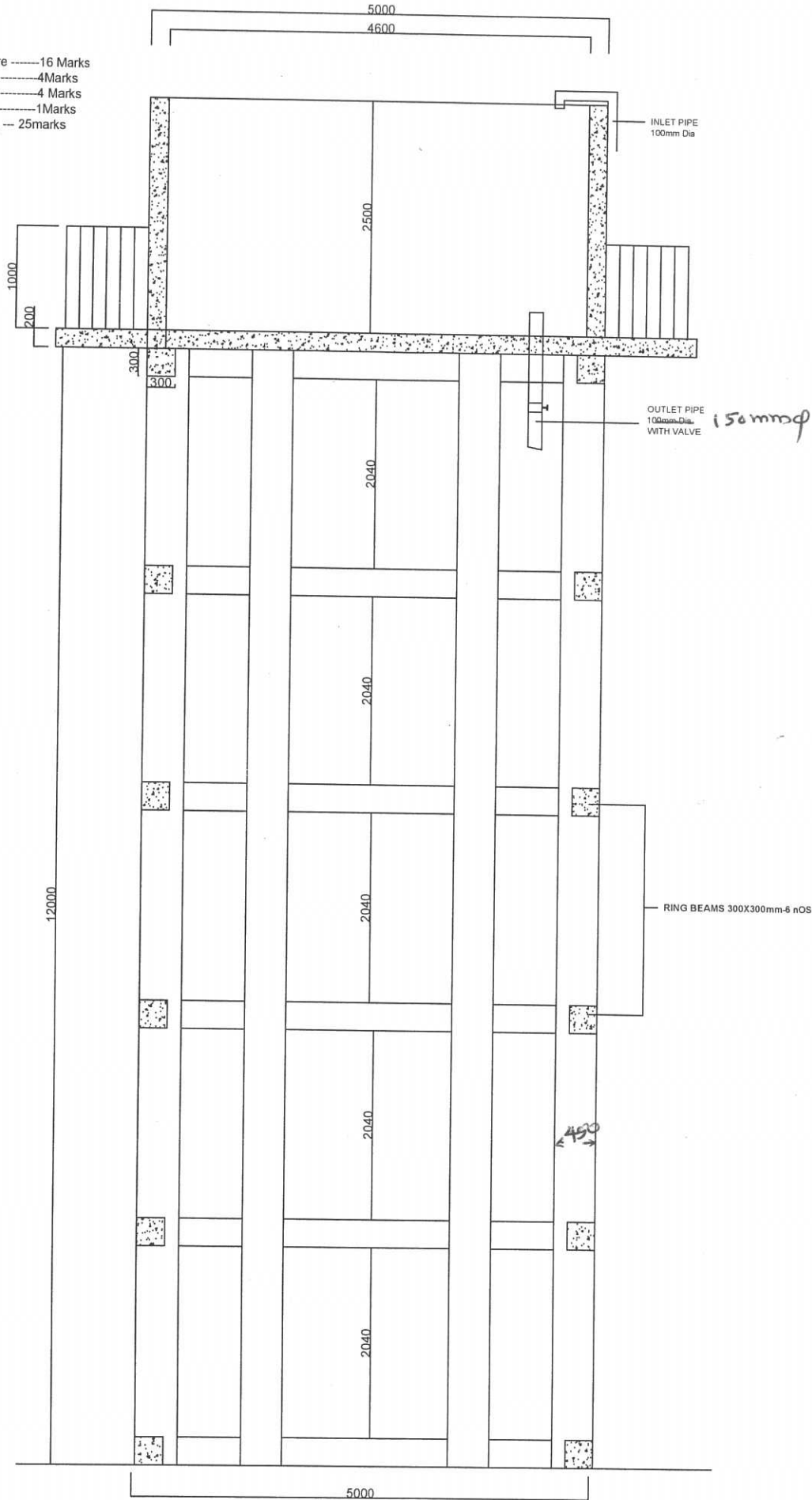
Q No:III (2)
 Correct figure 6Marks
 Reinforcement 3Marks
 Dimensions 3Marks
 Detailing 3Marks
 TOTAL = 15 marks



C S ELEVATION

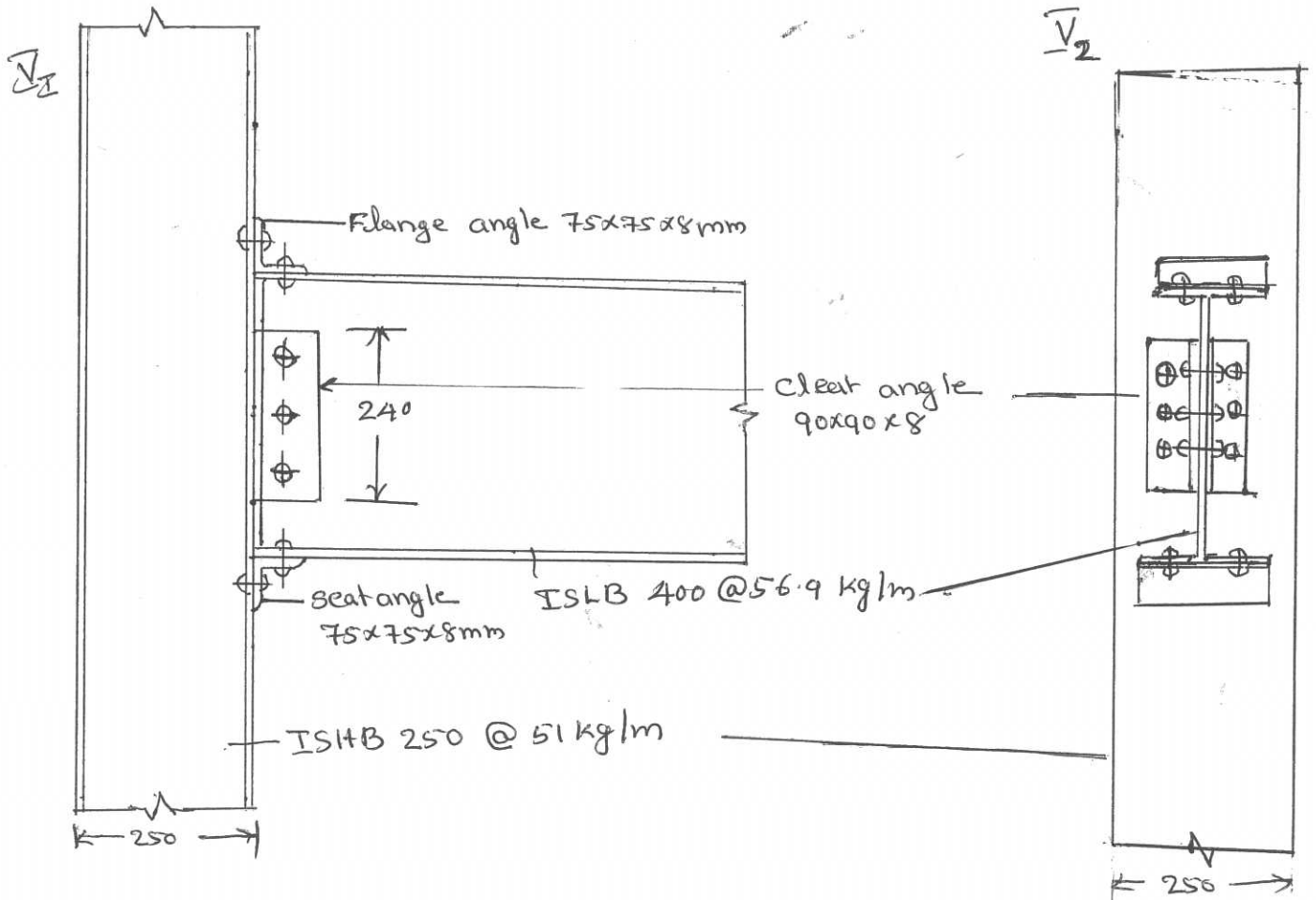
Q.No:IV

- Q No:IV
- Correct figure -----16 Marks
- Dimensions-----4Marks
- Detailing-----4 Marks
- Neatness-----1Marks
- TOTAL -- 25marks



SECTIONAL ELEVATION OF WATER TANK ABOVE GROUND

Q NO: 1



Q NO 1(1)

Correct figure - 6 marks.
 Detailing - 5 marks.
 Dimensioning - 2 marks.
 Total 15 marks.

Q NO 1(2)

Correct figure 6
 Detailing - 3
 Dimensioning - 1
 10 Marks.

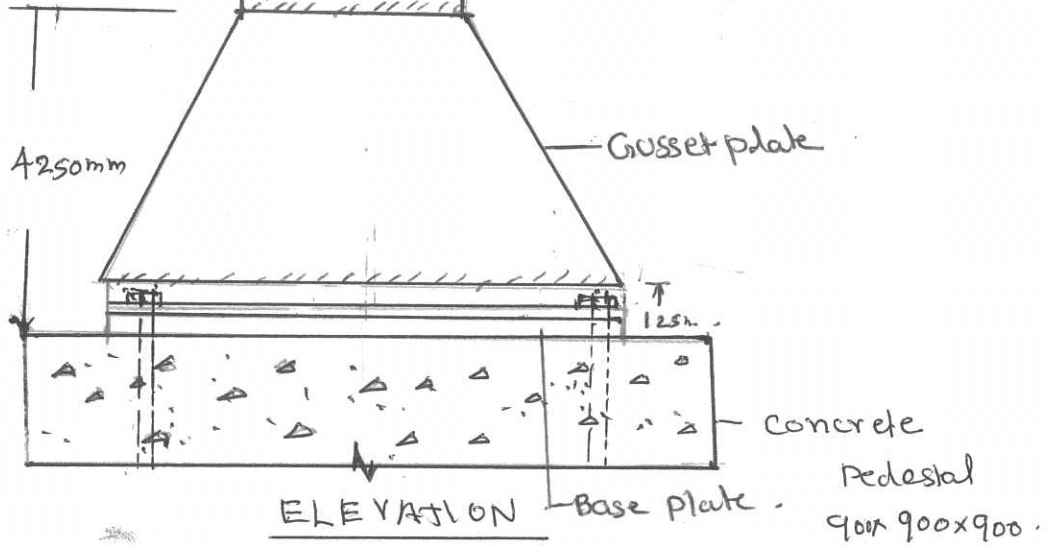
Q VI #

CORRECT FIGURE-8

DETAILING - 4

DIMENSIONING - $\frac{3}{15 \text{ marks}}$

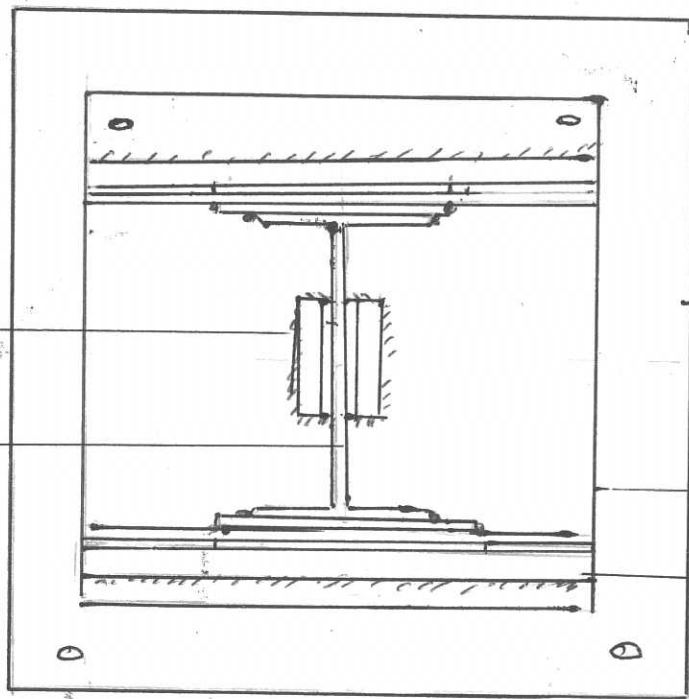
VI ②



VI ①

Cleat angle 90x90x6

ISWB 400 @ 82.2kg/m



CORRECT FIGURE-6

DETAILING - 2

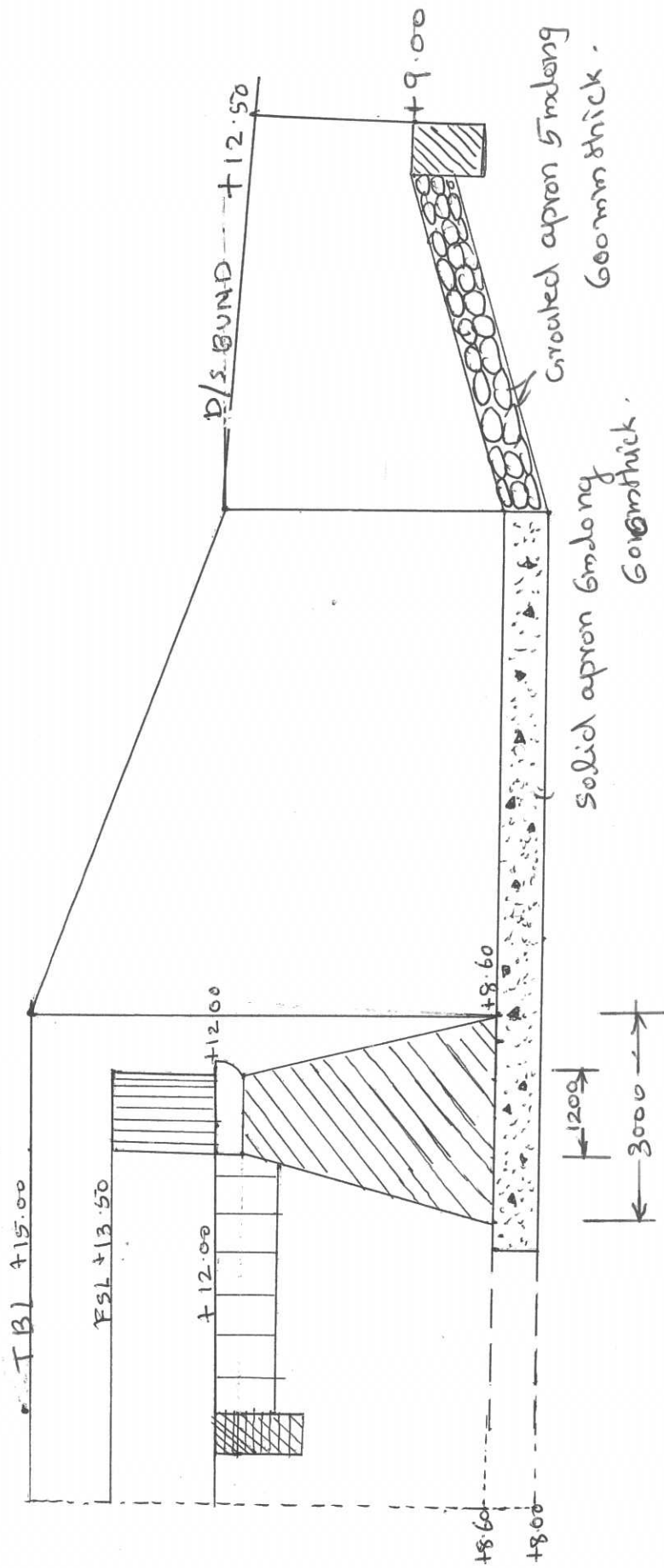
DIMENSIONING - 2

SECTIONAL PLAN

10 marks

GUSSETED COLUMN BASE. 6

Q VII



LONGITUDINAL SECTION OF CANAL DROP.

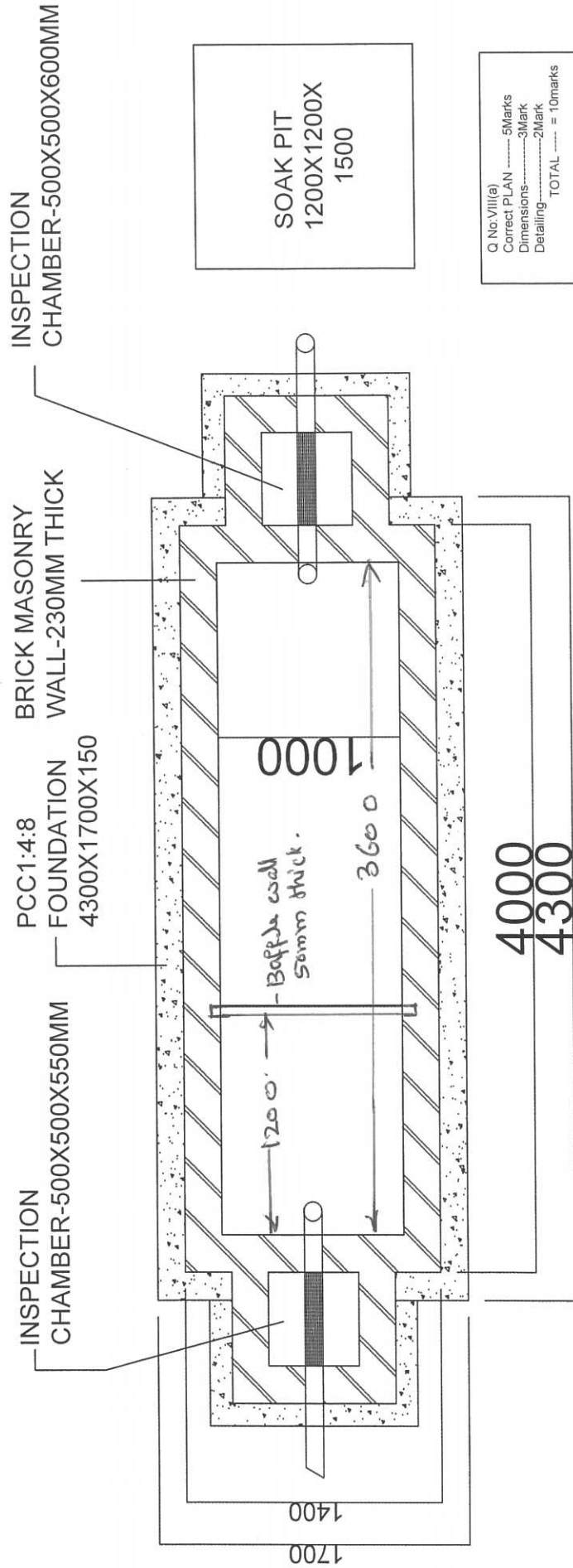
CORRECT FIGURE - 15

DETAILING - 5

DIMENSIONING - 5

25 marks.

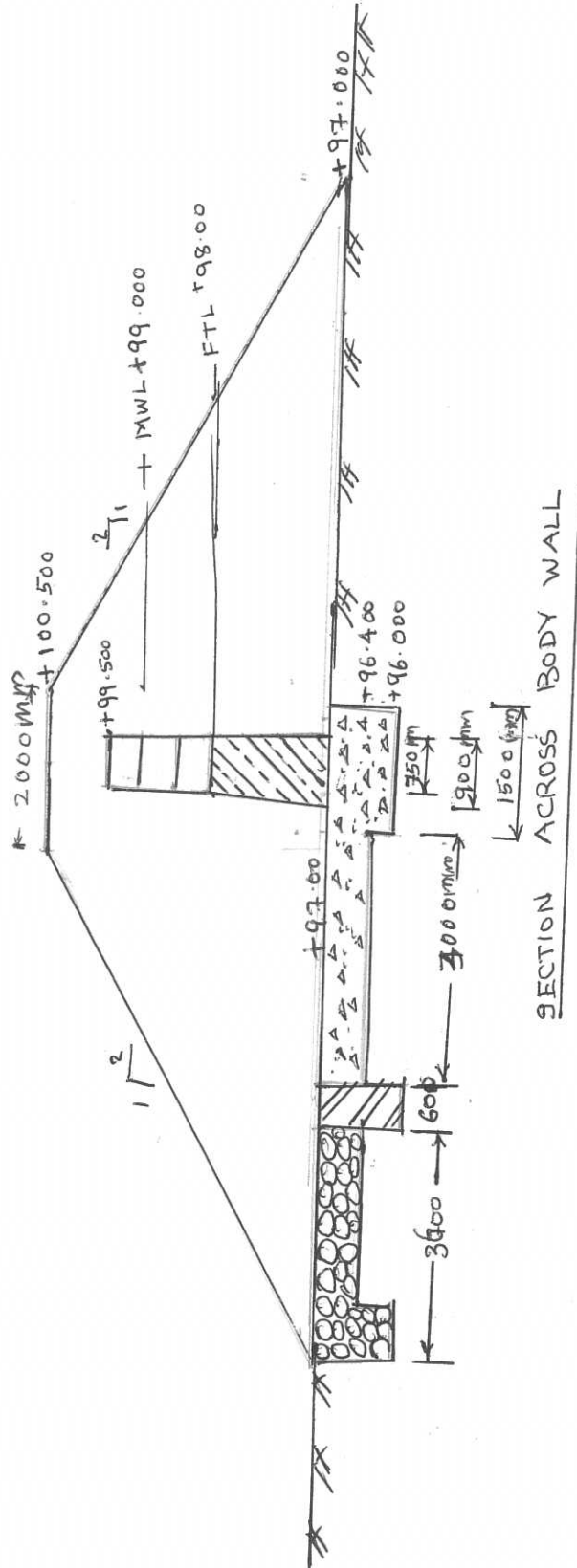
Q.No:VIII(a)



PLAN

Q.No: VIII (b)

SURPLUS ESCAPE CORE WALL TYPE.



CORRECT FIGURE - 8 marks.

DETAILING - 4 marks

DIMENSIONING - 3 marks

15 marks -