

DIPLOMA EXAMINATION IN ENGINEERING/TECHNOLOGY/  
MANAGEMENT/COMMERCIAL PRACTICE — APRIL, 2019

ENGINEERING GRAPHICS

[Time : 3 hours

(Maximum marks : 100)

- [Note :— 1. Missing data if any may be suitably assumed.  
2. Sketches accompanied.  
3. All drawings should be in first angle projections.]

PART — A

(Maximum marks : 10)

Marks

I Answer *all* questions in one or two sentences. Each question carries 2 marks.

1. Write the sizes of drawing sheets as per BIS.
2. Define the term Multiview projection in Engineering Drawing.
3. What are the different types of Oblique projection ?
4. List any four modifying commands used in Auto CADD.
5. What do you mean by development of surfaces ?

(5 × 2 = 10)

PART — B

(Maximum marks : 50)

(Answer any *five* of the following questions. Each question carries 10 marks.)

- II Redraw the given figure - 1 and dimension as per BIS.
- III Construct an ellipse having major and minor axis in the ratio of 3:2, when major axis is 135 mm, by concentric circle method.
- IV One end M of the line MN, 80 mm long is 15 mm below HP and 20 mm behind VP. The line is inclined at 40° to HP and the top view makes 50° with VP. Draw projections, if the line is in the third quadrant.
- V A hexagonal plate of 40mm edge length is kept parallel to HP so that one edge is parallel to and 25mm in front of VP. If the plate is 20mm above HP, draw its projections.

- VI Draw the front view and a front auxiliary view of the C-Block given in figure-2. The arrow with letter F shows the front side.
- VII Orthographic views of a stopper are shown in figure-3. Draw the cabinet oblique projection. Take receding axis at  $45^\circ$  to the horizontal.
- VIII Draw the development the elbow shown in figure - 4. (5 × 10 = 50)

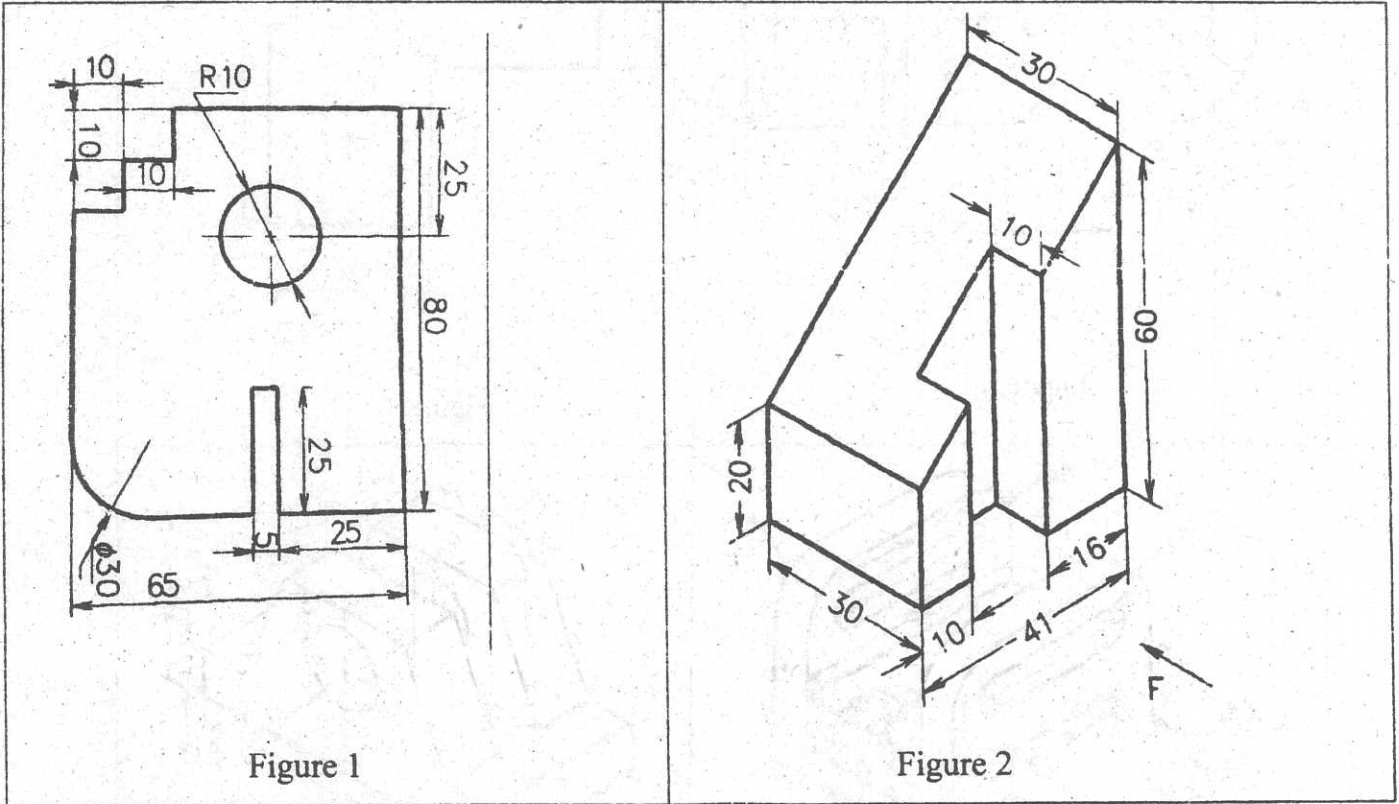
## PART — C

(Maximum marks : 40)

(Answer any two of the following questions. Each question carries 20 marks.)

- IX Isometric view of a bracket is shown in figure - 5. Draw the front view looking in the direction of the arrow F, top view and left side view.
- X Figure-6 shows the pictorial view of an object. Draw the sectional elevation (section through AA), plan and sectional end view (section through BB).
- X Figure-7 shows the orthographic projections of an object. Draw its isometric view. (2 × 20 = 40)

TED (15) – 2005 (A)  
(REVISION — 2015)



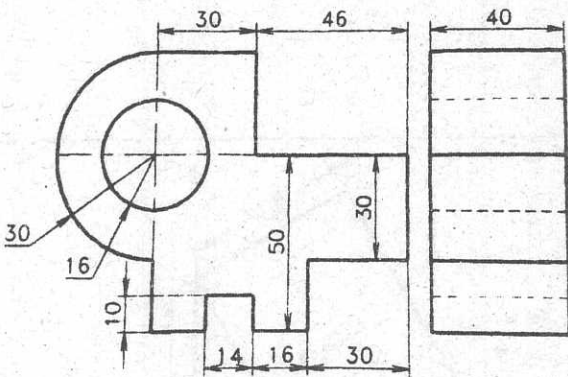


Figure 3

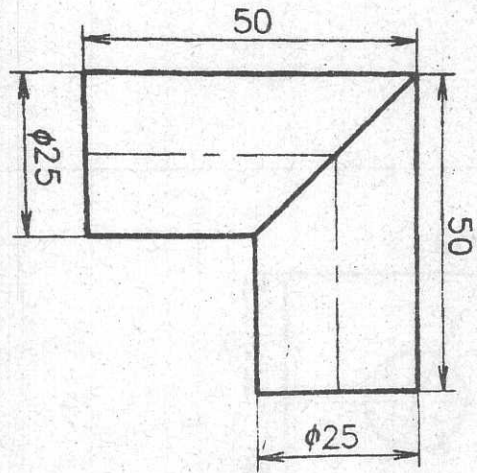


Figure 4

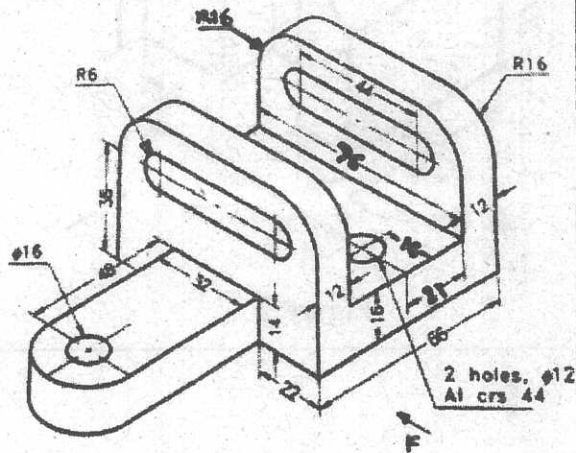


Figure 5

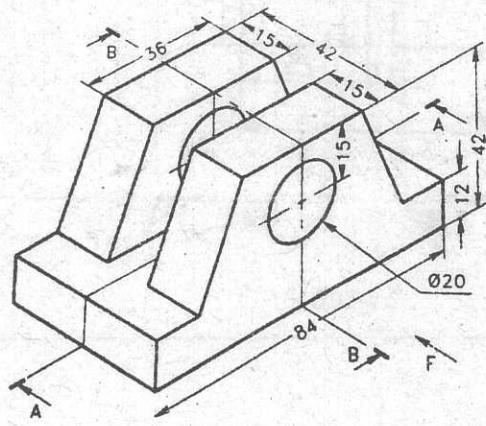


Figure 6

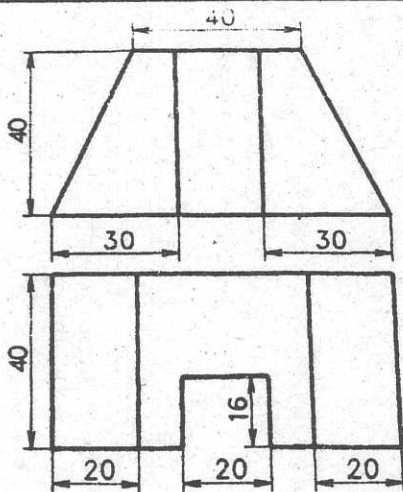


Figure 7