

6

1

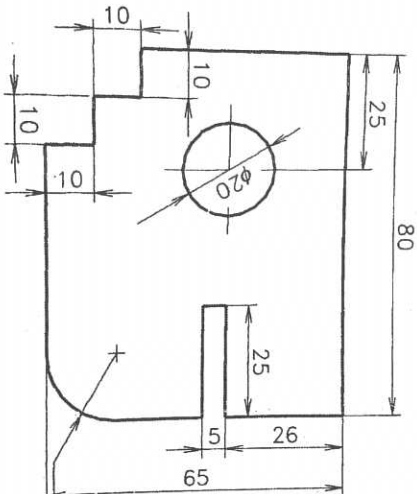
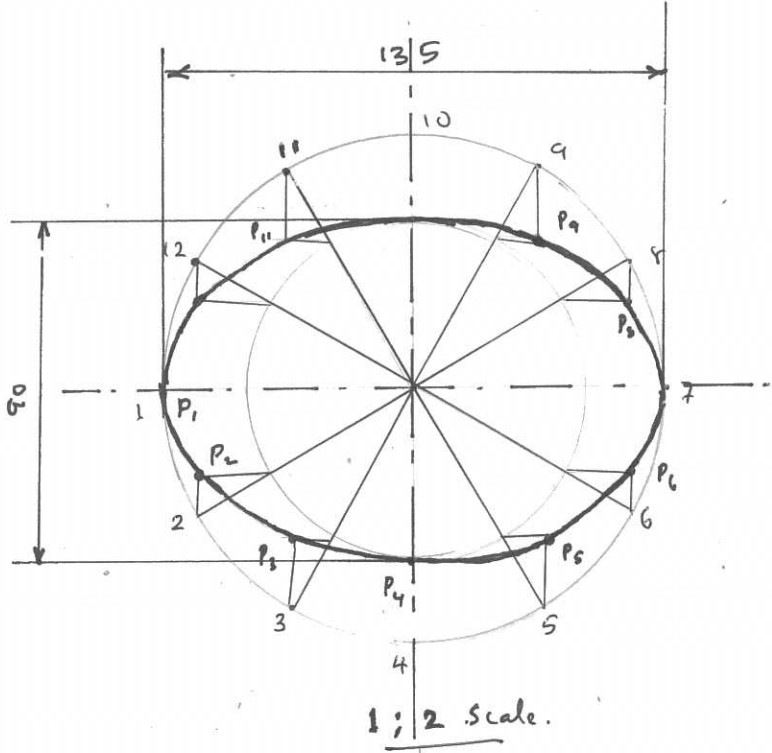
SHEME OF VALUATION
(Scoring Indicators)

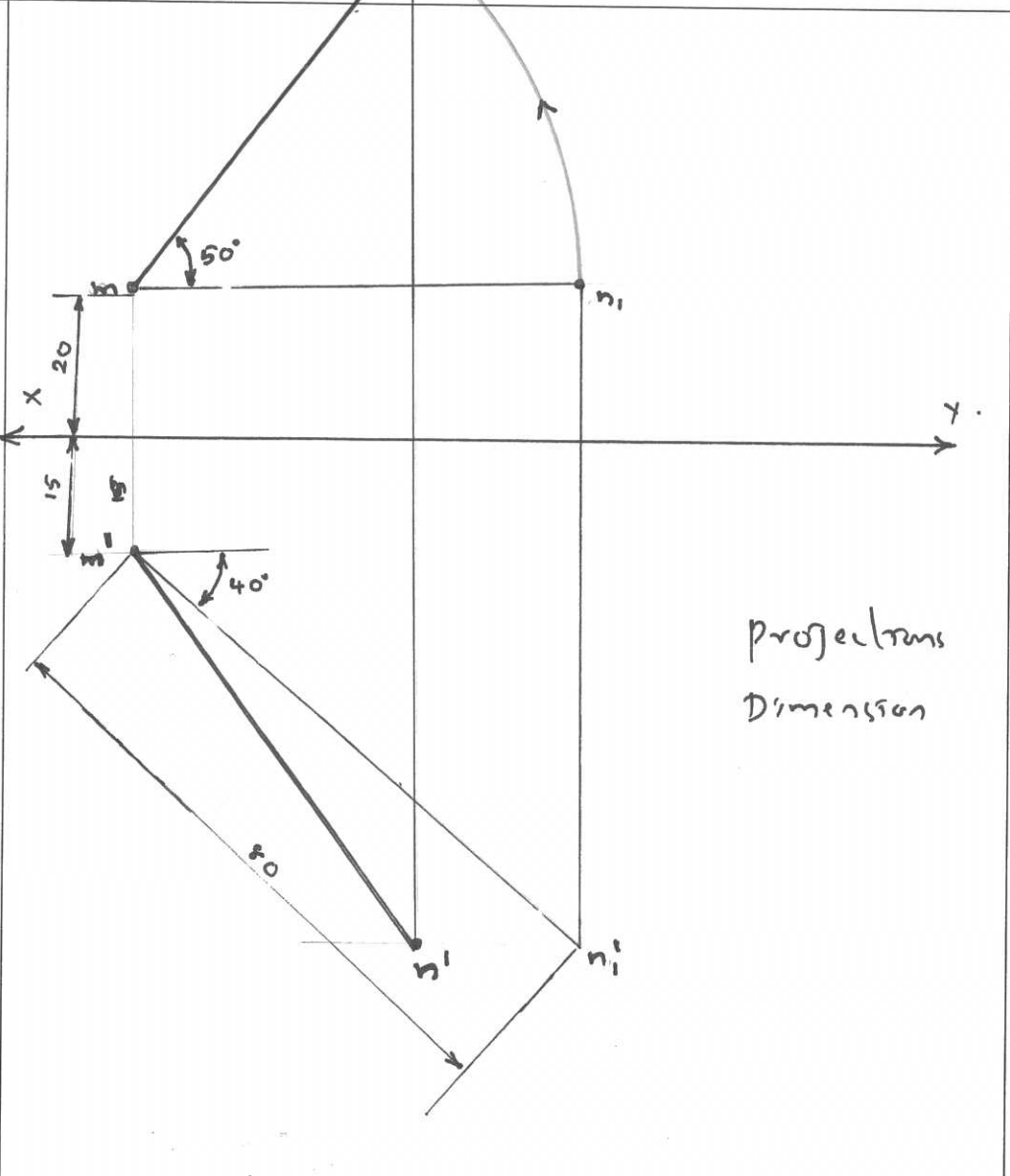
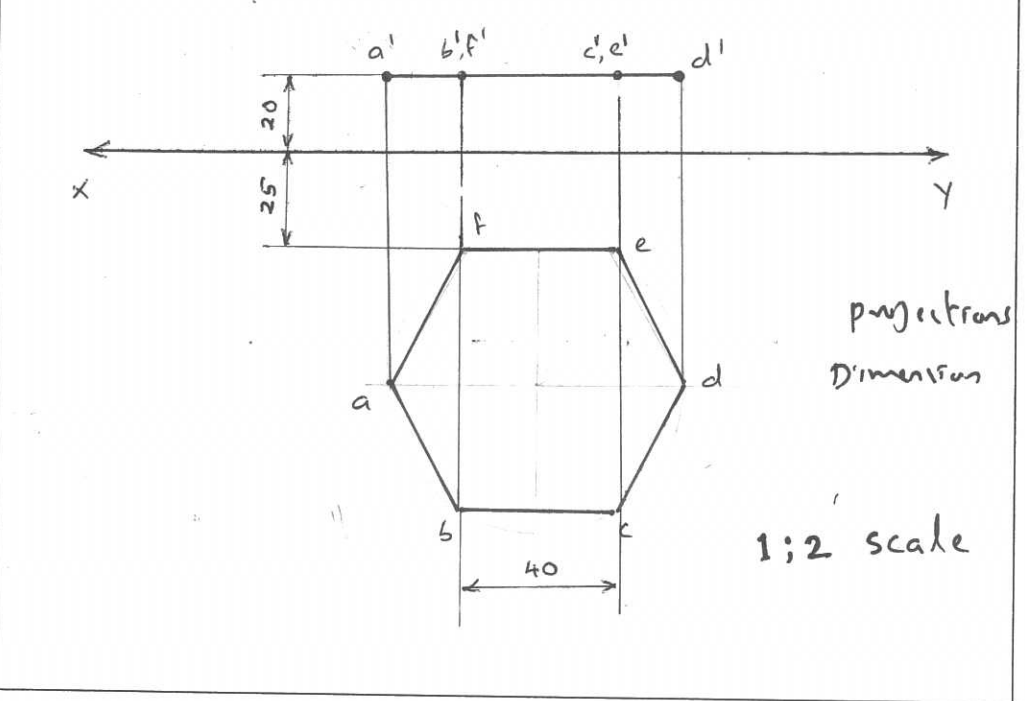
Revision : 2015

course code : 2005

Course Title : Engineering Graphics.

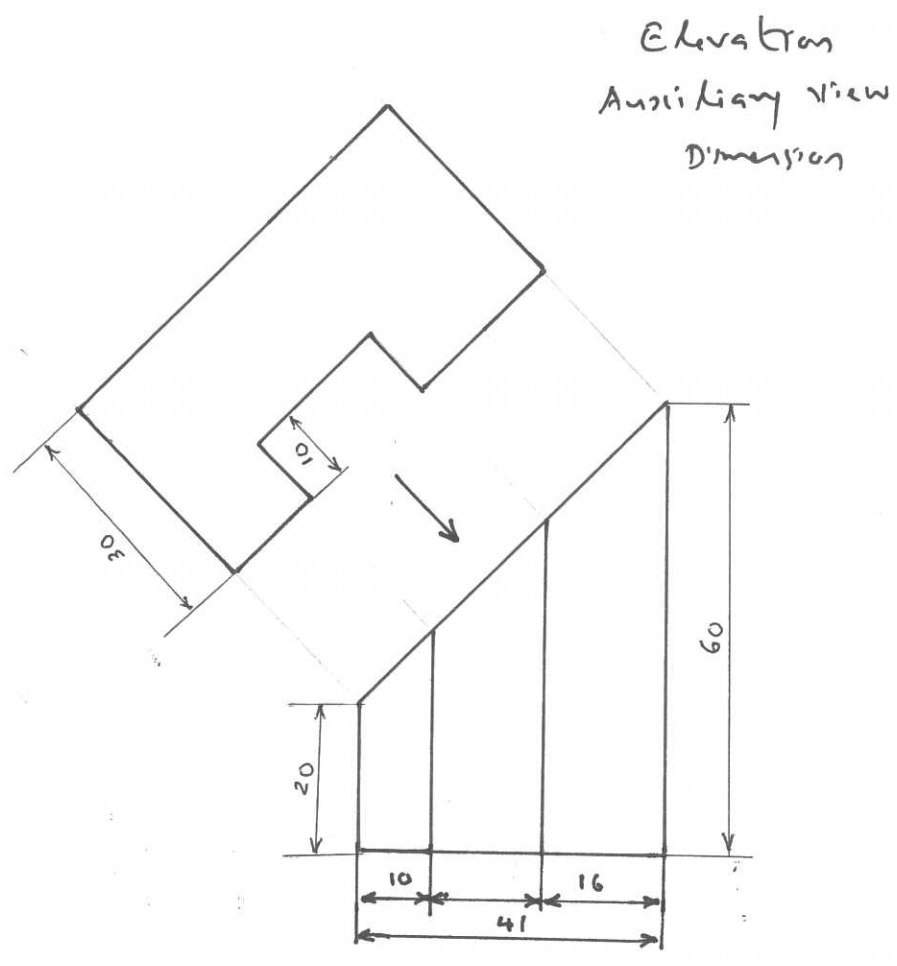
Qst. No	Scoring Indicator	Split up score	Sub Total	Total
	<u>PART - A</u>			
I (i)	A ₀ – 841 mm x 1189 mm A ₁ – 594 mm x 841 mm A ₂ – 420 mm x 594 mm A ₃ – 297 mm x 420 mm A ₄ – 210 mm x 297 mm	2		2
I(ii)	Multiview projection is an orthographic projection in which the exact shape of an object is represented by two or more separate views projected on planes that are perpendicular to each other. Each views shows the shape of the object for a particular view direction and these views altogether describe the object completely.	2		2
I(iii)	(1)- Cavalier projection (2) Cabinet projection (3) General oblique projection	2		2
I(iv)	Erase , Move , Copy object , Rotate , Mirror , Break , Trim , Extend , Scale, Stretch, Array , Fillet , Chamfer , Explode etc. any four.	2		2
I(v)	The process of opening out all the surfaces of a three dimensional body on to a flat plane is called <i>development of surfaces</i> and the resulting shape is called <i>pattern</i> . The surface so laid out is termed as its <i>development</i> .	2		2

Qst. No	Scoring Indicator	Split up score	Sub Total	Total
II	 <p style="text-align: right;">Sketch Correct Dimension</p>	2 8		10
III	 <p style="text-align: center;">1; 2 scale.</p>			
IV	<p style="text-align: center;">Figure Construction Method Dimension Neatness</p>	5 3 1 1		10

Qst. No	Scoring Indicator	Split up score	Sub Total	Total
<p>IV</p>	 <p>projections Dimension</p>	<p>9 1</p>		<p>10</p>
<p>V</p>	 <p>projections Dimension</p> <p>1:2 scale</p>	<p>9 1</p>		<p>10</p>

Qst. No	Scoring Indicator	Split up score	Sub Total	Total
---------	-------------------	----------------	-----------	-------

VI



Elevation	4		
Auxiliary view	4		10
Dimension	2		

VII

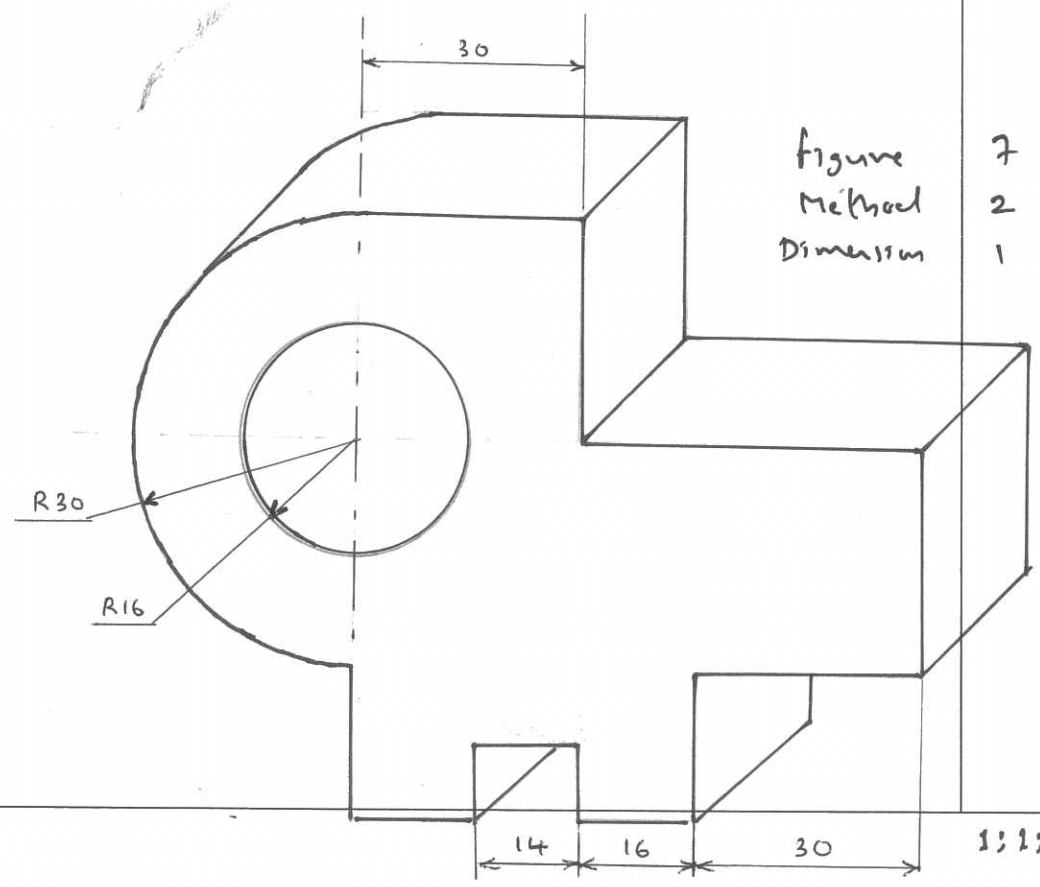
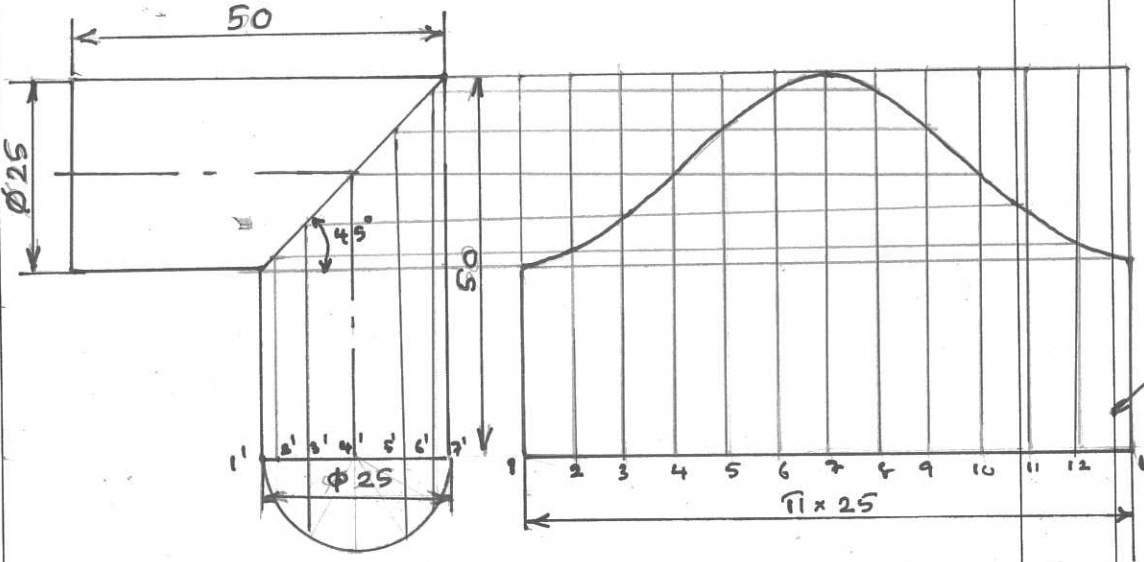
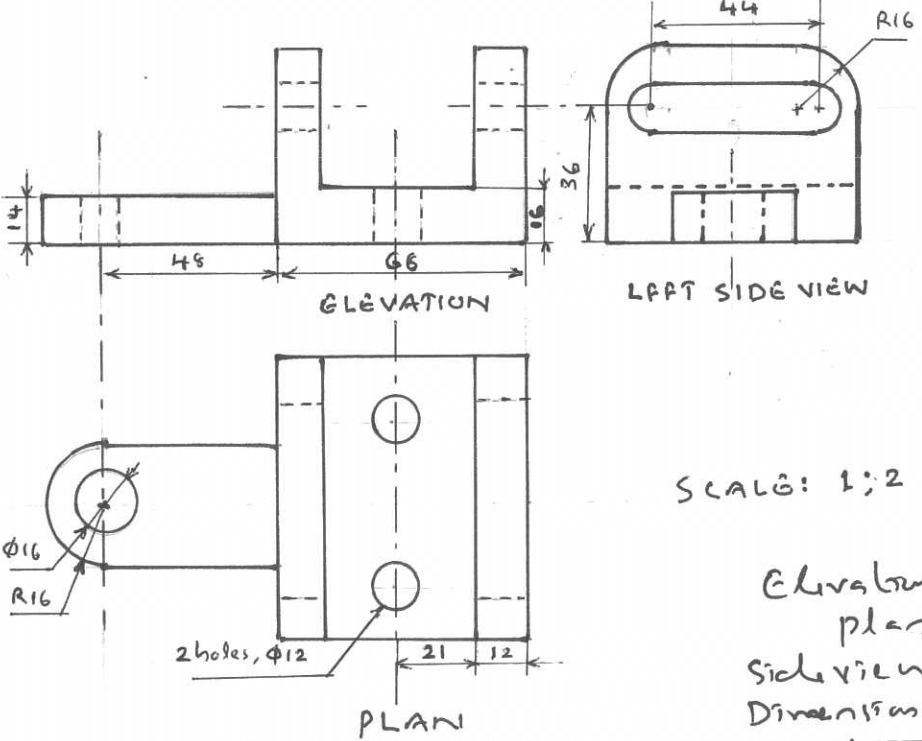


Figure Method	7		
Dimension	2		10
	1		

1;1;0.5

Qst. No	Scoring Indicator	Split up score	Sub Total	Total
VIII	<p style="text-align: center;">Development Construction Method Dimension</p> 	6 3 1	10	
IX	 <p style="text-align: center;">ELEVATION LEFT SIDE VIEW</p> <p style="text-align: center;">PLAN</p> <p style="text-align: right;">SCALE: 1:2</p>	Elevation plan Side view Dimension Next cell	5 5 5 3 2	20

Qst. No	Scoring Indicator	Split up score	Total
X		<p>(sectioned) Elevation 5 plan 5 sideview (sectioned) 5 Dimension 3 Neatness 2</p>	20
XI		<p>Figure 12 Method 4 Dimension 2 Neatness 2</p>	20